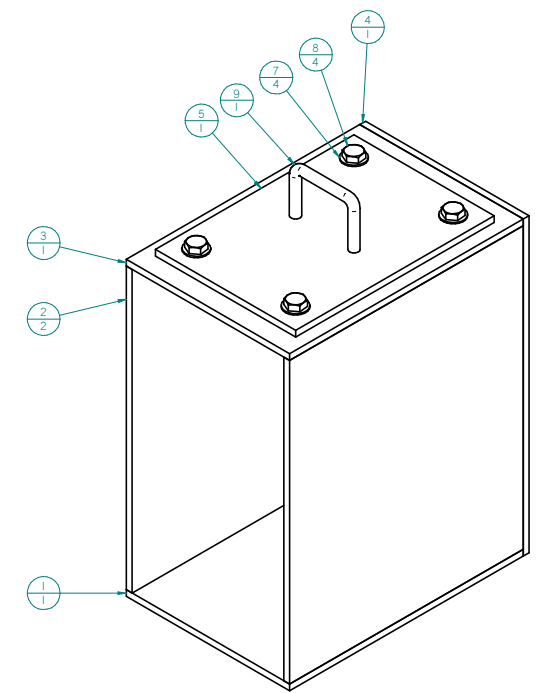
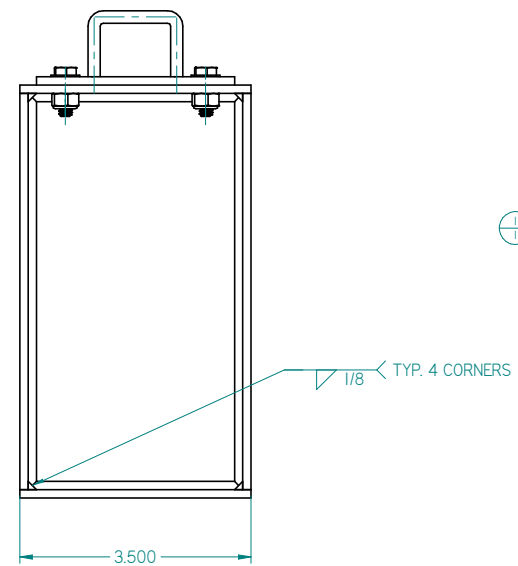
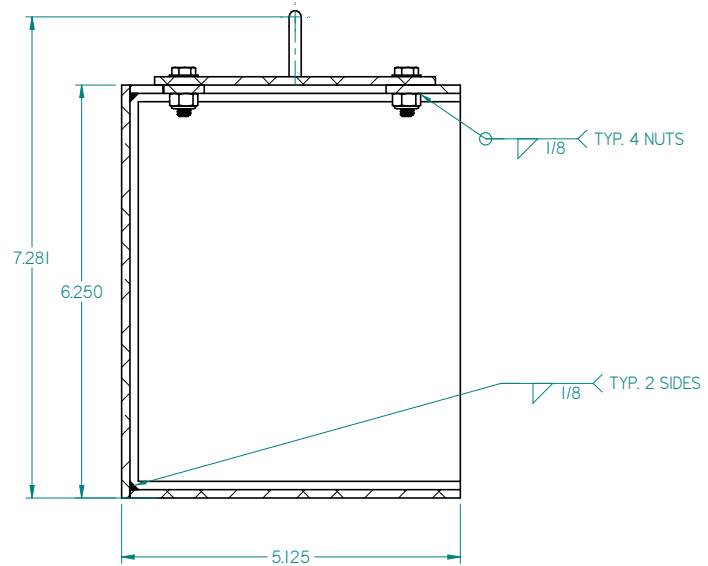
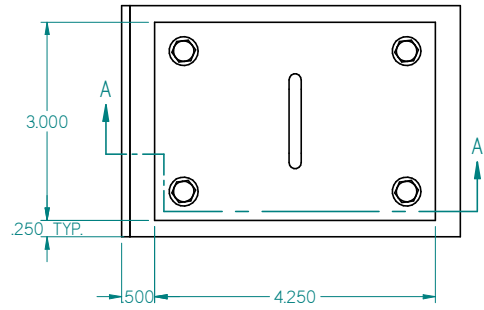


Item Number	Quantity	File Name (no extension)	Mass (Quantity)	Material
1	1	Brain Bottom Plate	0.210 lbm	Aluminum, 6061-T6
2	2	Brain Side Plate	0.735 lbm	Aluminum, 6061-T6
3	1	Brain Top Plate	0.097 lbm	Aluminum, 6061-T6
4	1	Brain Back Wall	0.268 lbm	Aluminum, 6061-T6
5	1	Brain Access Panel	0.154 lbm	Aluminum, 6061-T6
6	4	#10 Aluminum Nylon-Insert Locknut	0.008 lbm	Aluminum, 6061-T6
7	4	#10 316 Stainless Steel Washer	0.003 lbm	Stainless Steel, 316
8	4	#10 x 0.625 18-8 Stainless Steel Hex Head Screws	0.027 lbm	Stainless Steel, 316
9	1	Threaded-Hole Round Pull Handle	0.008 lbm	Aluminum, 6061-T6
10	2	#4-40 x 0.3125 Black-Oxide Alloy Steel Hex Drive Flat Head Screw	0.002 lbm	Steel

SOLID EDGE ACADEMIC COPY

NAME	DATE	ground truth.ag	
DRAWN BRS	05/09/22	TITLE	BRAIN ASSEMBLY
CHECKED		SIZE	DWG NO -
ENG APPR		FILE NAME	Brain Assembled.dwg
MGR APPR		SCALE	1:1
UNLESS OTHERWISE SPECIFIED DIMENSIONS ARE IN INCHES ANGLES °XX'		WEIGHT	SHEET 1 OF 2
2 PL +XXX 3 PL +XXXX			

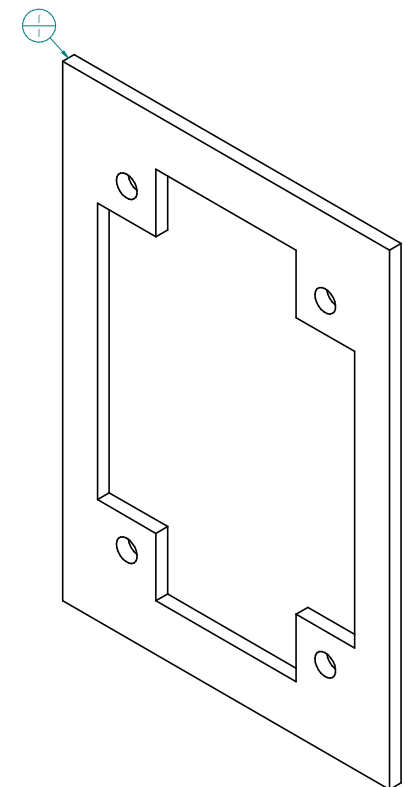
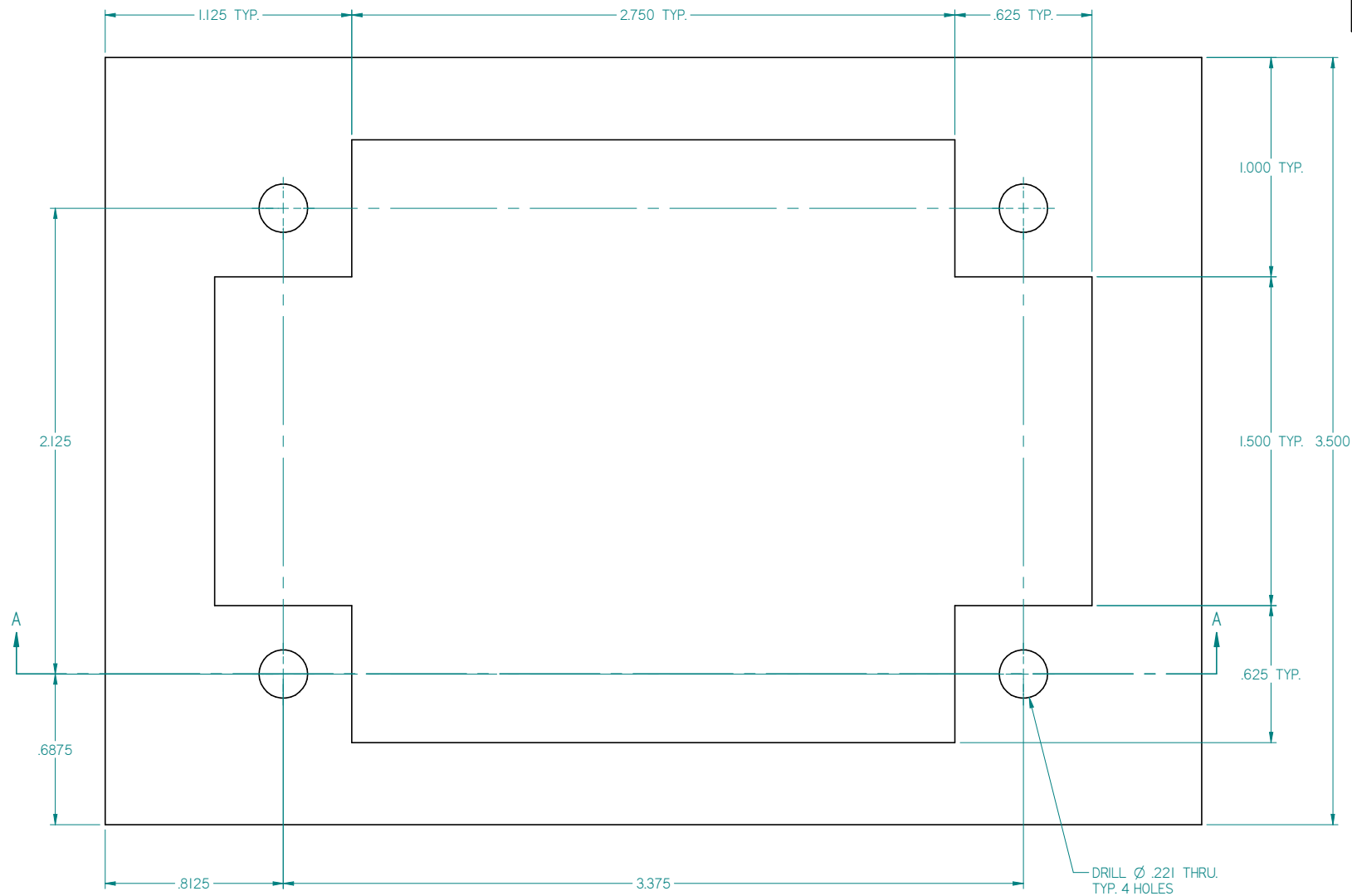
Item Number	Quantity	File Name (no extension)	Mass (Quantity)	Material
1	1	Brain Bottom Plate	0.210 lbm	Aluminum, 6061-T6
2	2	Brain Side Plate	0.735 lbm	Aluminum, 6061-T6
3	1	Brain Top Plate	0.097 lbm	Aluminum, 6061-T6
4	1	Brain Back Wall	0.268 lbm	Aluminum, 6061-T6
5	1	Brain Access Panel	0.154 lbm	Aluminum, 6061-T6
6	4	#10 Aluminum Nylon-Insert Locknut	0.008 lbm	Aluminum, 6061-T6
7	4	#10 316 Stainless Steel Washer	0.003 lbm	Stainless Steel, 316
8	4	#10 x 0.625 18-8 Stainless Steel Hex Head Screws	0.027 lbm	Stainless Steel, 316
9	1	Threaded-Hole Round Pull Handle	0.008 lbm	Aluminum, 6061-T6
10	2	#4-40 x 0.3125 Black-Oxide Alloy Steel Hex Drive Flat Head Screw	0.002 lbm	Steel



SOLID EDGE ACADEMIC COPY SECTION A-A

DRAWN	BRS	NAME	DATE	ground truth.ag	
CHECKED			05/09/22	TITLE	
ENG APPR				BRAIN ASSEMBLY	
MGR APPR				SIZE	REV
UNLESS OTHERWISE SPECIFIED DIMENSIONS ARE IN INCHES ANGLES °XX'				D	I
2 PL. *XXX 3 PL. *XXXX				FILE NAME: Brain Assembled.dft	
				SCALE: 1:1	WEIGHT: SHEET 2 OF 2

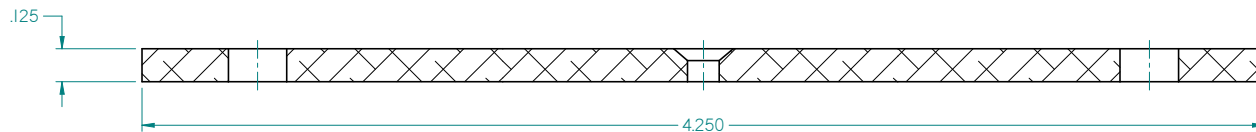
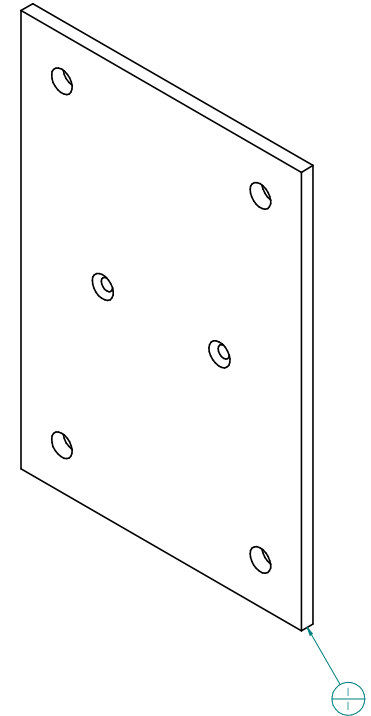
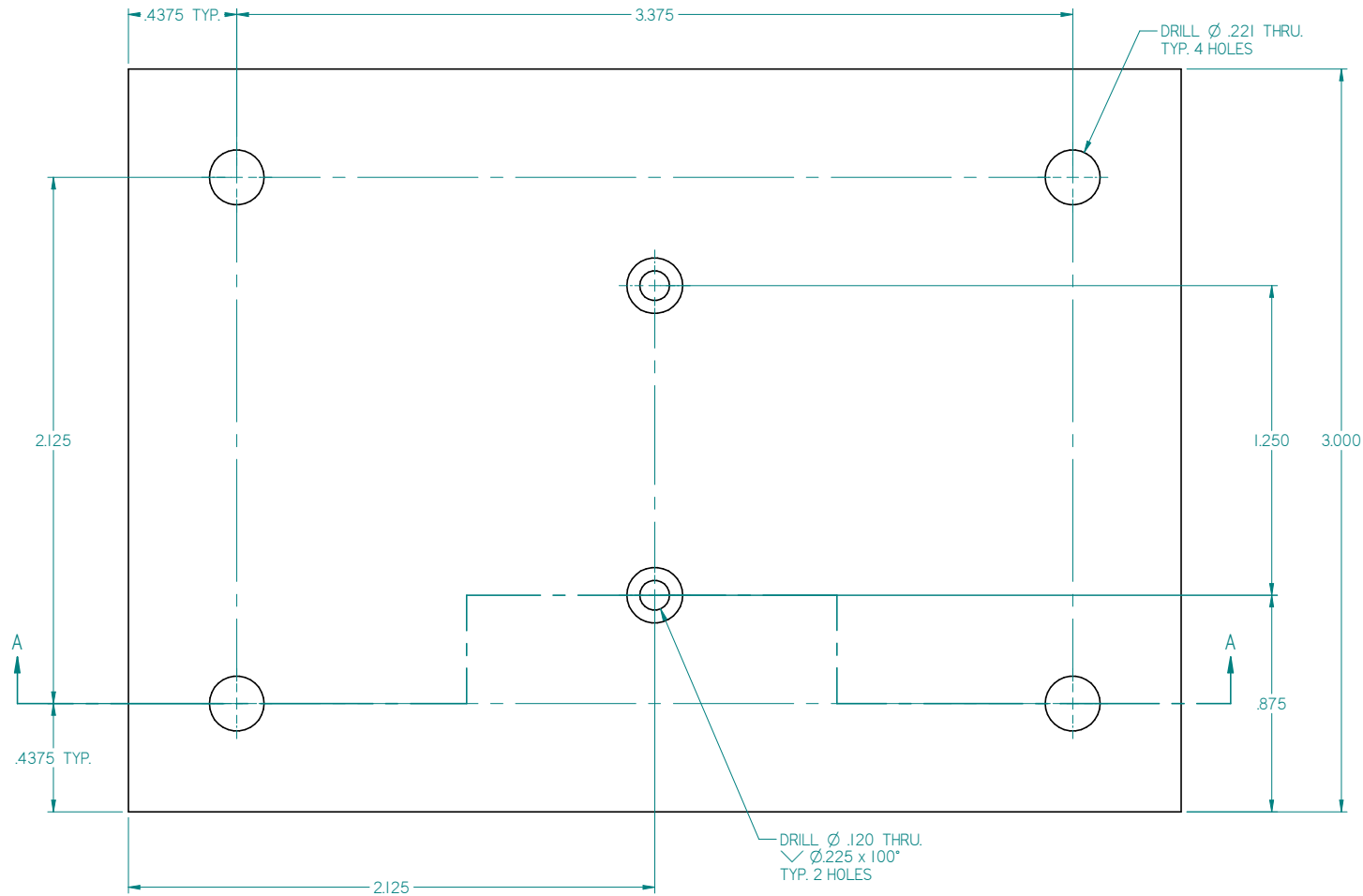
Item Number	Quantity	File Name (no extension)	Mass (lbm)	Material
1	1	Brain Top Plate	0.097 lbm	Aluminum, 6061-T6



SOLID EDGE ACADEMIC COPY

NAME	DATE	ground truth.ag	
DRAWN: BRS	05/09/22	TITLE: BRAIN TOP PLATE	
CHECKED:		SIZE: D	REV: I
ENG APPR:		FILE NAME: Brain Top Plate.dft	
MGR APPR:		SCALE: 4:1	WEIGHT: SHEET 1 OF 1
UNLESS OTHERWISE SPECIFIED DIMENSIONS ARE IN INCHES ANGLES °XX'		2 PL. *XXX 3 PL. *XXXX	

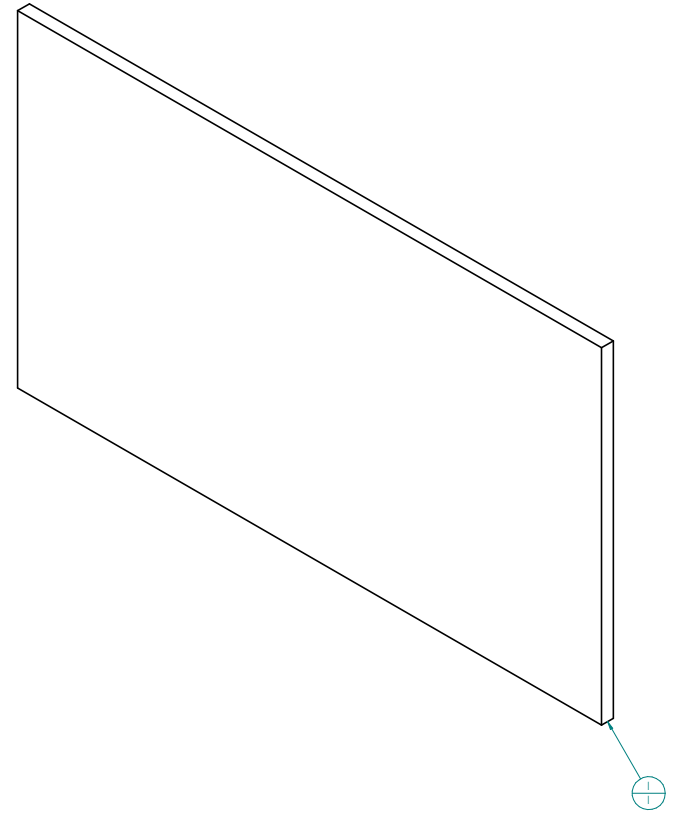
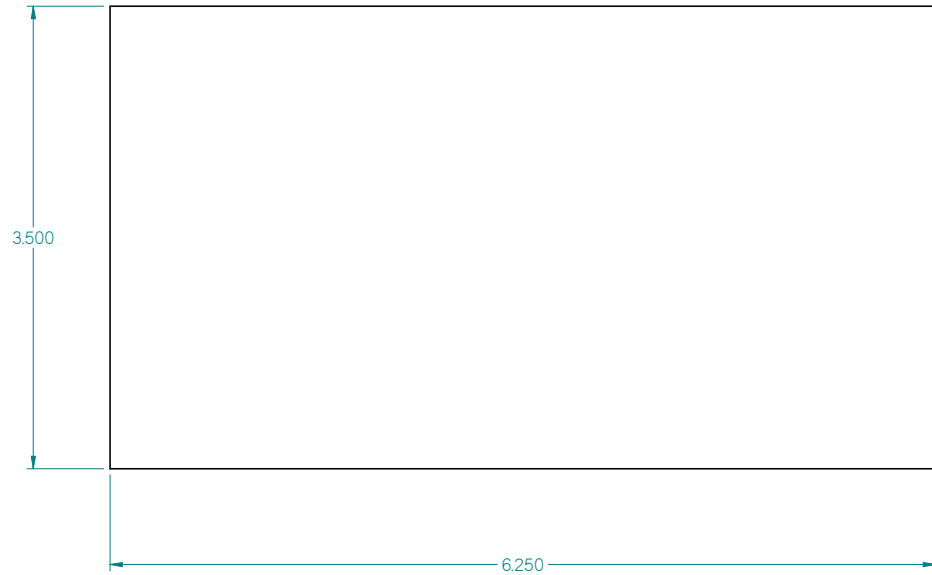
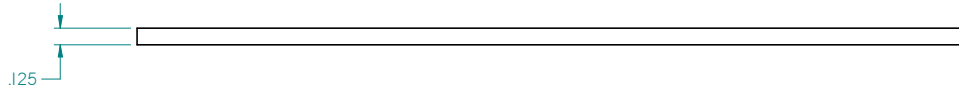
Item Number	Quantity	File Name (no extension)	Mass (lbm)	Material
1	1	Brain Access Panel	0.154 lbm	Aluminum, 6061-T6



SOLID EDGE ACADEMIC COPY

DRAWN	NAME	DATE	gründ truth.ag	
BRS		05/09/22	TITLE	BRAIN ACCESS PANEL
CHECKED			SIZE	DWG NO
ENG APPR			D	-
MGR APPR			FILE NAME	Brain Access Panel.dft
UNLESS OTHERWISE SPECIFIED DIMENSIONS ARE IN INCHES ANGLES °XX'			SCALE	4:1
2 PL. ±XXX.3 PL. ±XXXX			WEIGHT	SHEET 1 OF 1

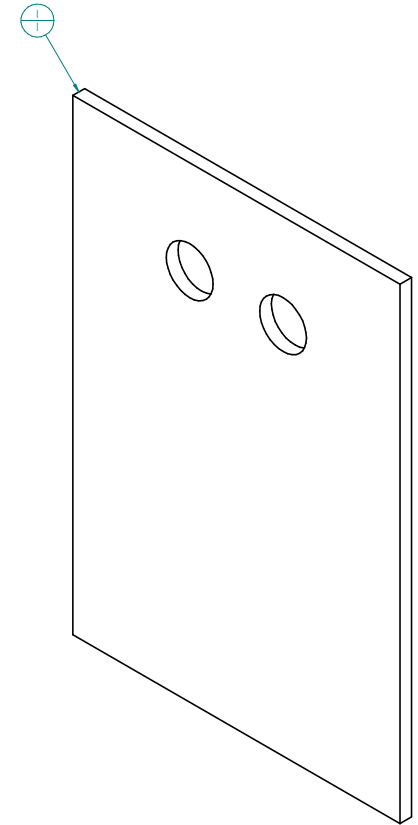
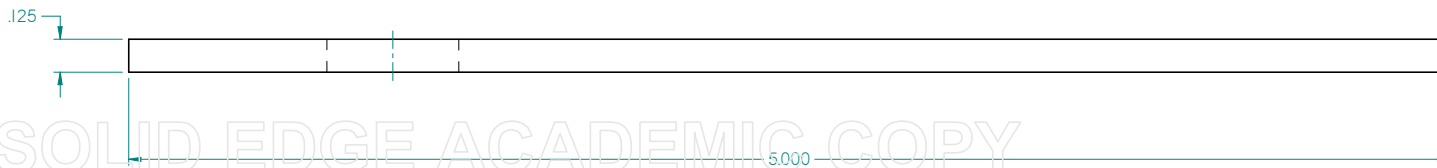
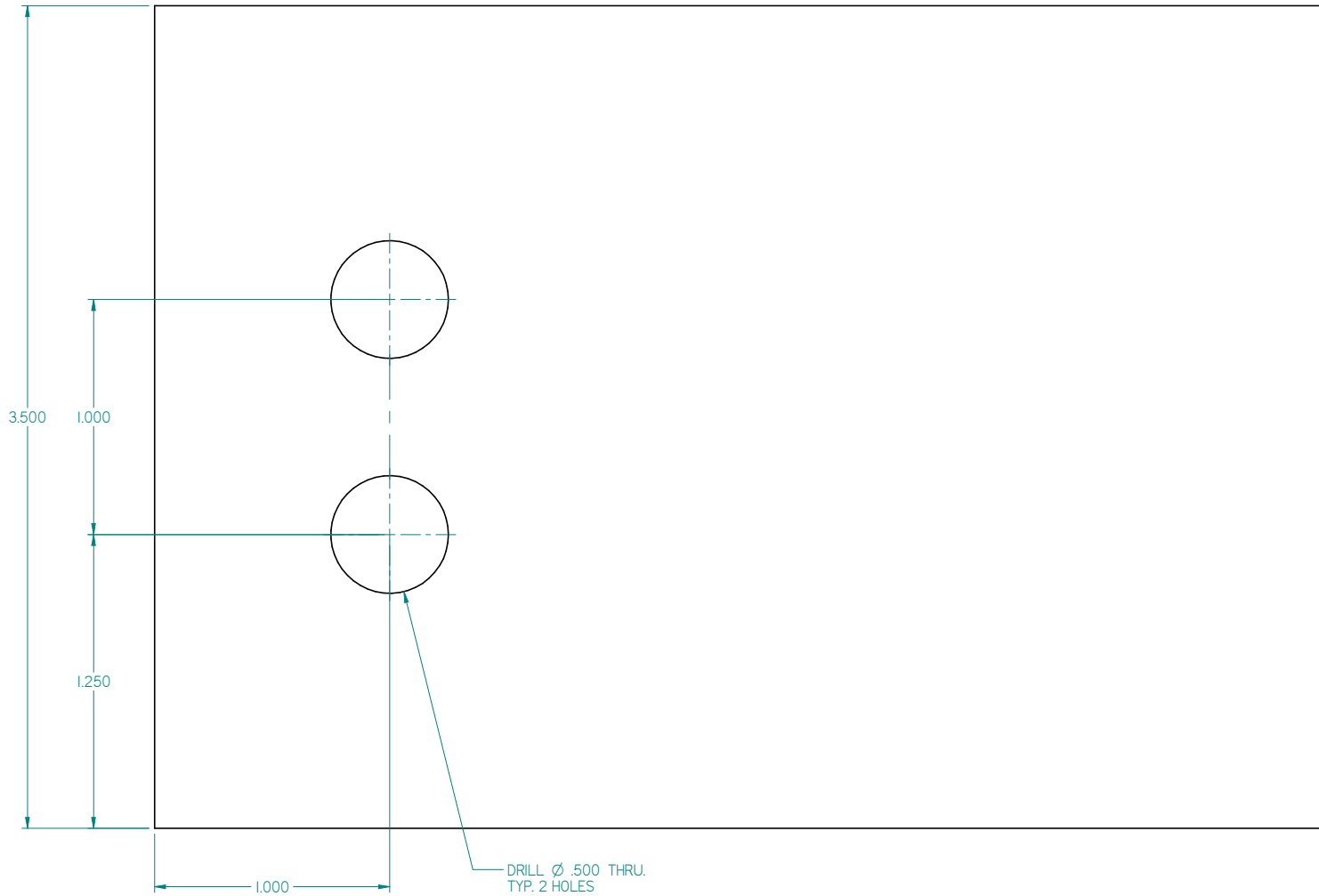
Item Number	Quantity	File Name (no extension)	Mass (lbm)	Material
1	1	Brain Back Wall	0.268 lbm	Aluminum, 6061-T6



SOLID EDGE ACADEMIC COPY

NAME	DATE	gründ truth.ag	
DRAWN: BRS	05/09/22	TITLE: BRAIN BACK WALL	
CHECKED:		SIZE: D	REV: I
ENG APPR:		FILE NAME: Brain Back Wall.dwg	
MGR APPR:		SCALE: 2:1	WEIGHT: SHEET 1 OF 1
UNLESS OTHERWISE SPECIFIED DIMENSIONS ARE IN INCHES ANGLES ±XX°		2 PL ±XXX 3 PL ±XXXX	

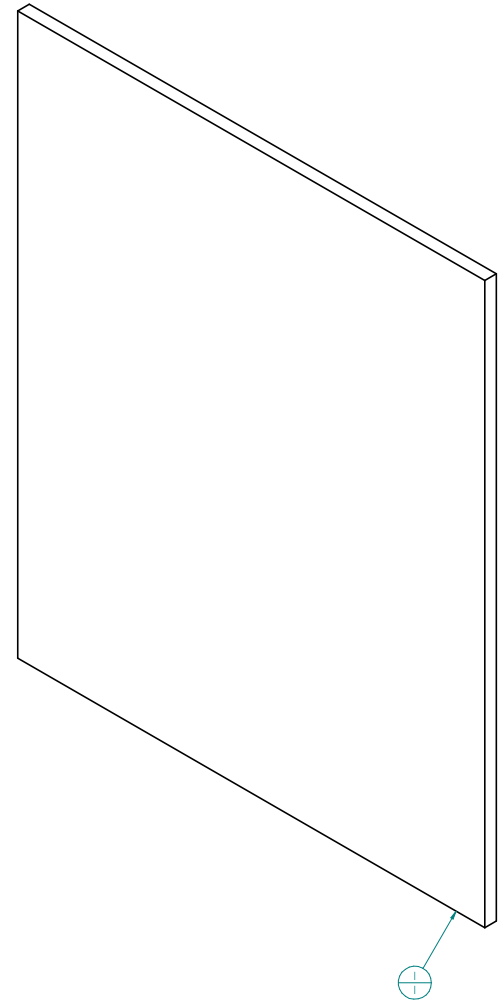
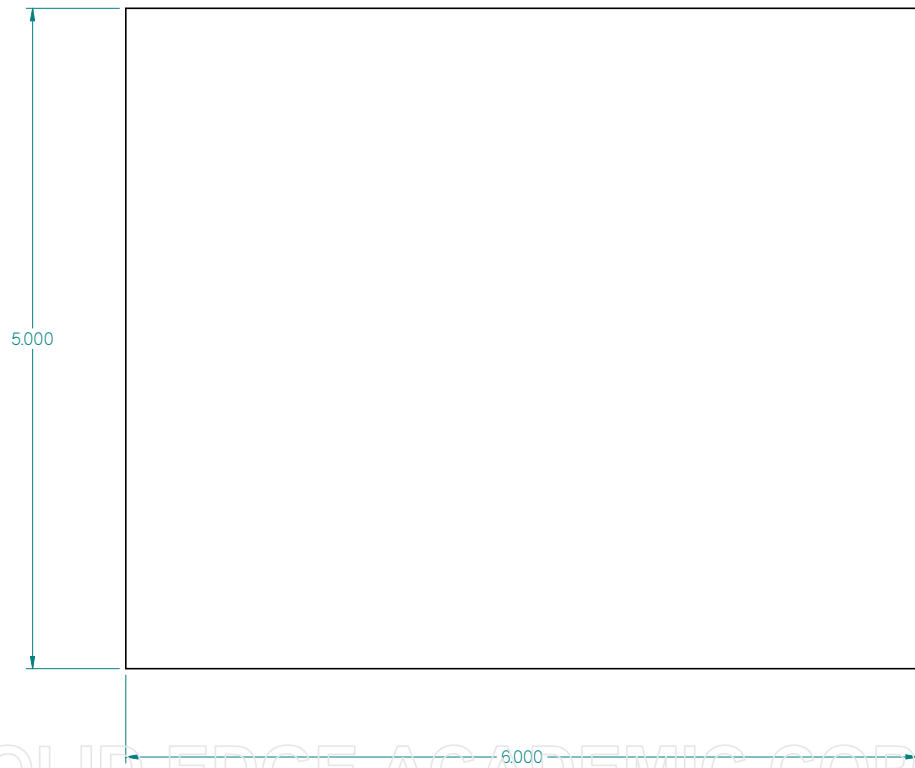
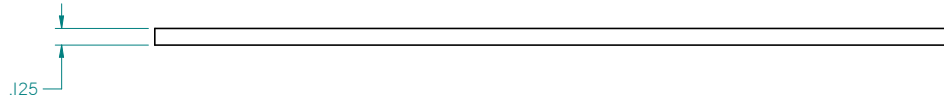
Item Number	Quantity	File Name (no extension)	Mass (Item)	Material
1	1	Brain Bottom Plate	0.210 lbm	Aluminum, 6061-T6



SOLID EDGE ACADEMIC COPY

NAME	DATE	gründ truth.ag	
DRAWN: BRS	05/09/22	TITLE: BRAIN BOTTOM PLATE	
CHECKED:		SIZE: D	REV: 1
ENG APPR:		FILE NAME: Brain Bottom Plate.dft	
MGR APPR:		SCALE: 4:1	WEIGHT: SHEET 1 OF 1
UNLESS OTHERWISE SPECIFIED DIMENSIONS ARE IN INCHES ANGLES ±XX°		2 PL ±XXX 3 PL ±XXXX	

Item Number	Quantity	File Name (no extension)	Mass Item	Material
I	1	Brain Side Plate	0.367 lbm	Aluminum, 6061-T6



SOLID EDGE ACADEMIC COPY

NAME	DATE	grund truth.ag	
DRAWN BRS	05/09/22	TITLE BRAIN SIDE PLATE	
CHECKED		SIZE DWG NO. - I	
ENG APPR		FILE NAME Brain Side Plate.dft	
MGR APPR		SCALE 2:1	WEIGHT SHEET 1 OF 1
UNLESS OTHERWISE SPECIFIED DIMENSIONS ARE IN INCHES ANGLES °XX'		2 PL *XXX 3 PL *XXXX	