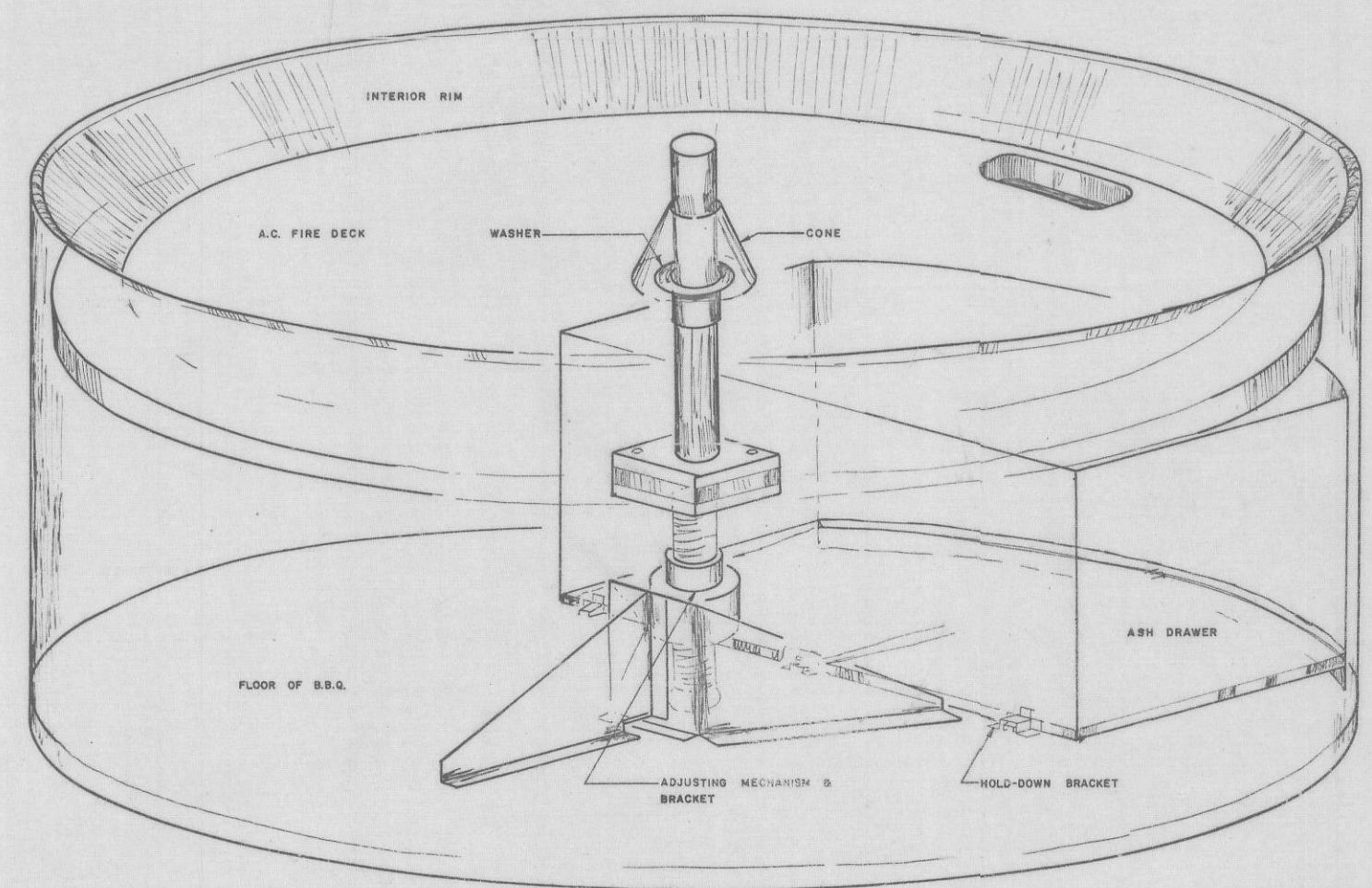
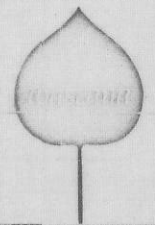


ISOMETRIC DETAILS--REAR OF ASHDRAWER



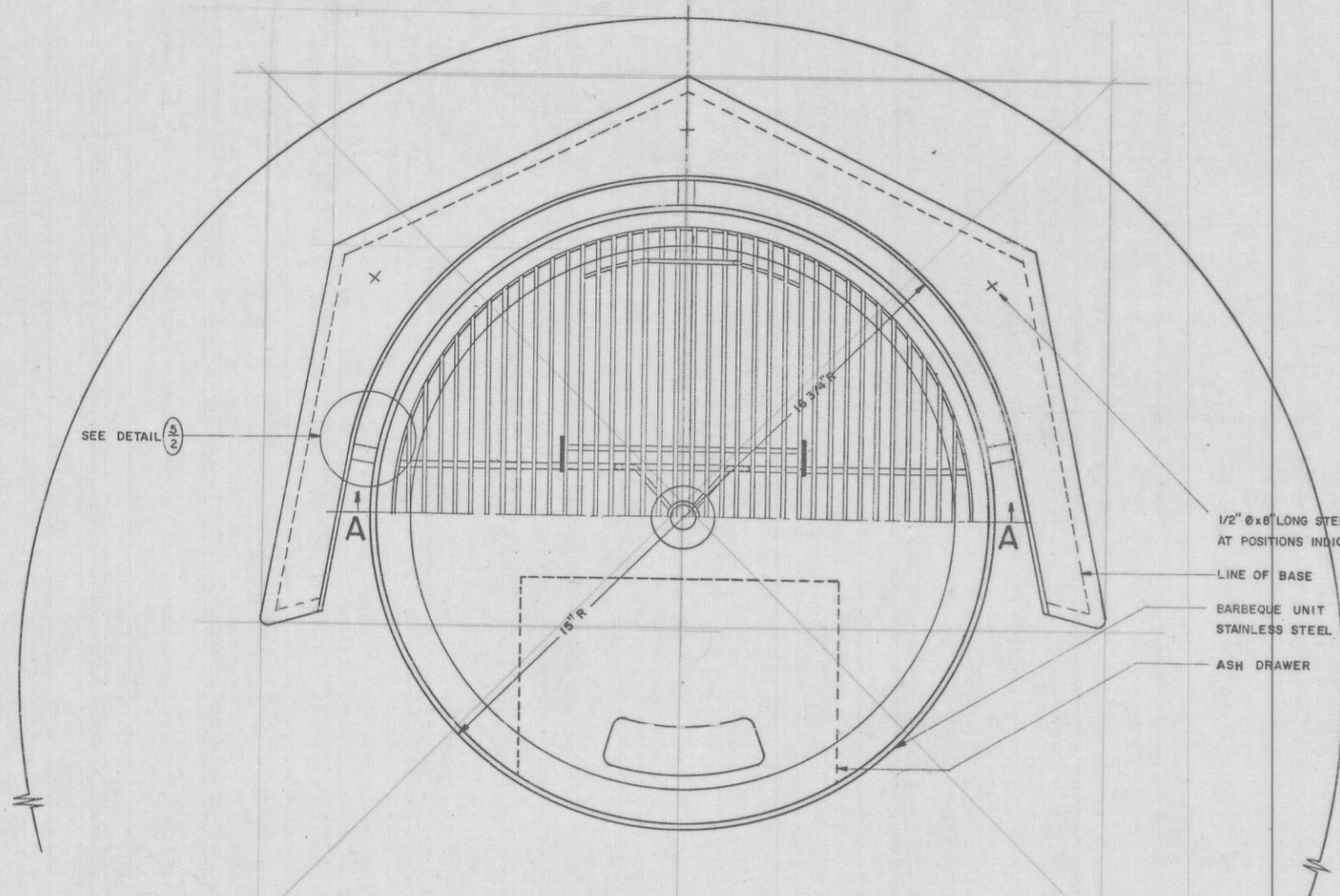
ISOMETRIC CUT-AWAY OF BARBECUE UNIT

NOTES	DATE	REVISIONS	TITLE	ISOMETRIC DETAILS			Wascana Centre Authority					
				APPROVED	DATE		DRAWING	PROJECT BARBECUE UNIT				
				chairman		1	Drawn	Checked	App'd	Date	Scale	File
				secretary			W.S.G.			8/1/66	N.T.S.	1-PE-001
				w.c.a. master planner								
				w.c.a. landscape planner								



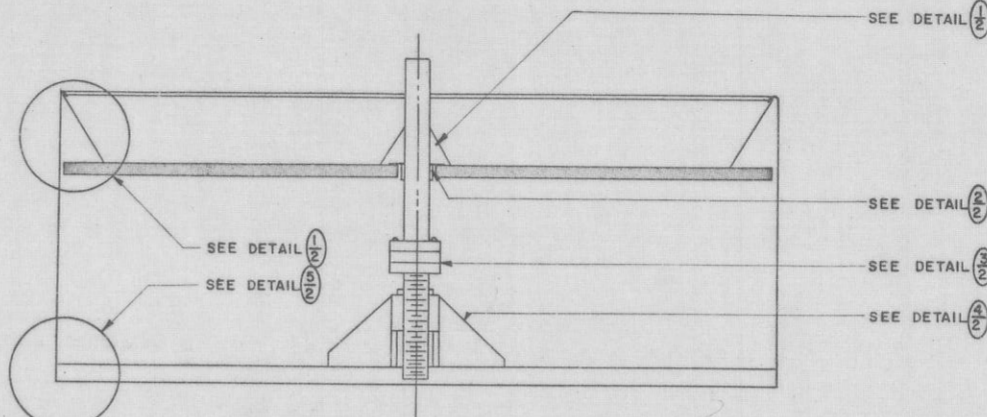
**PLAN**

SCALE 3" = 1'-0"



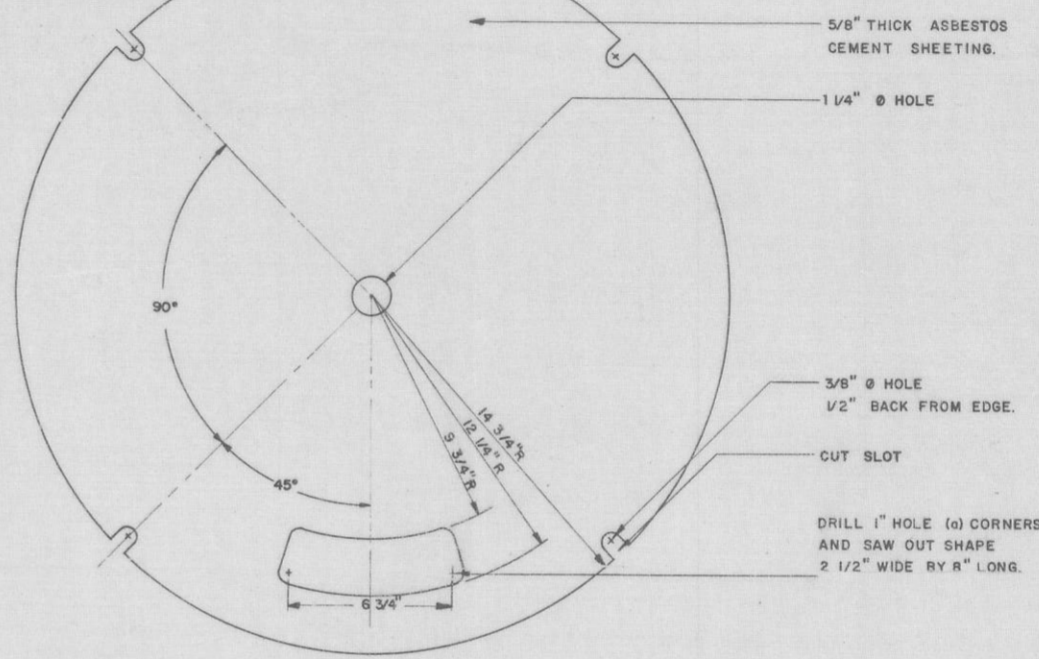
**SECTION A-A**

SCALE 3" = 1'-0"



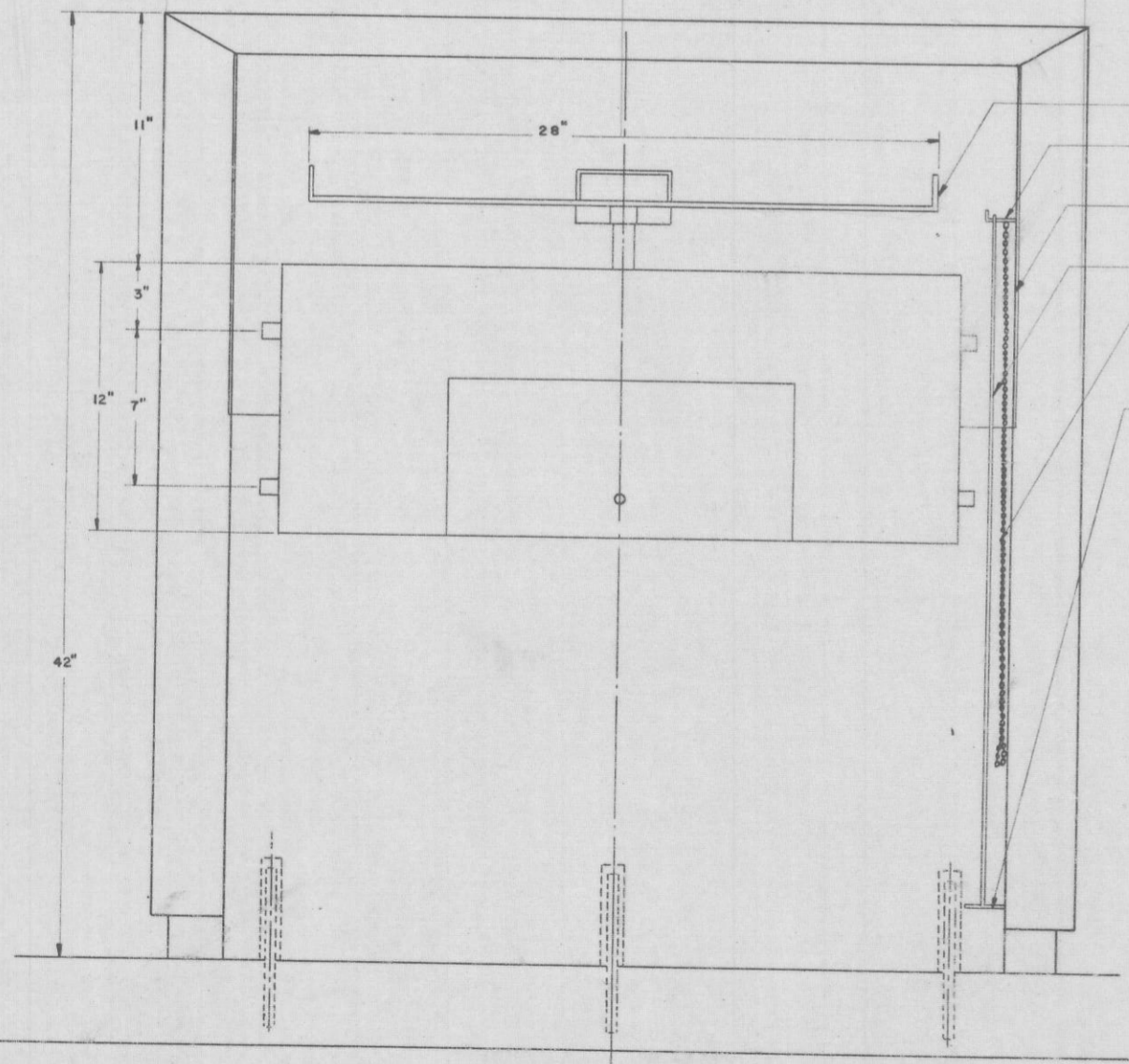
**PLAN**

FIRE DECK  
SCALE 3 1/2" = 1'-0"



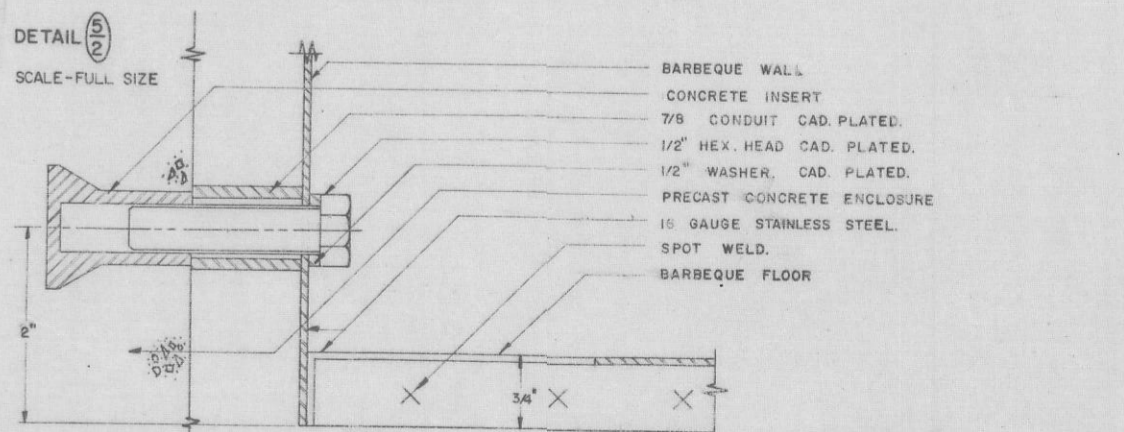
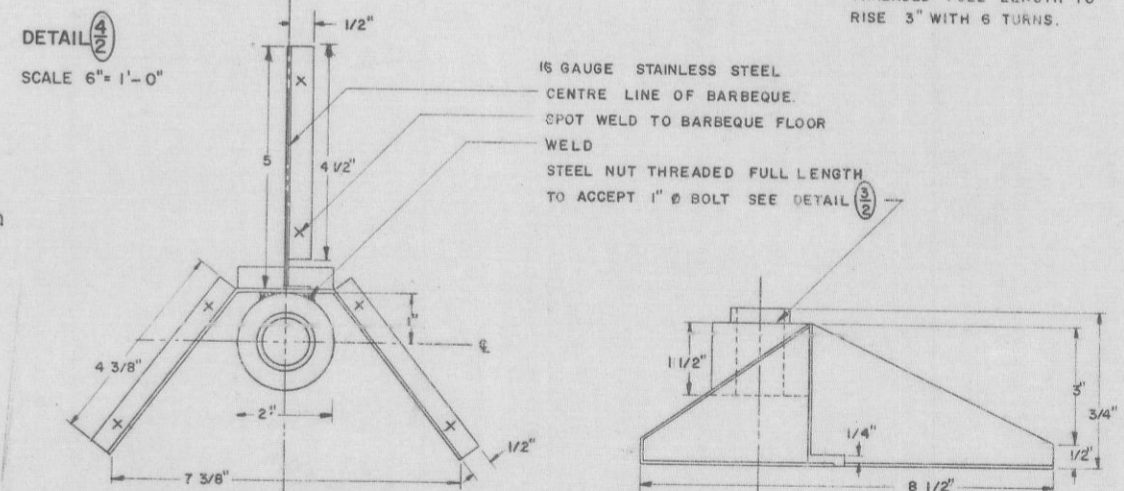
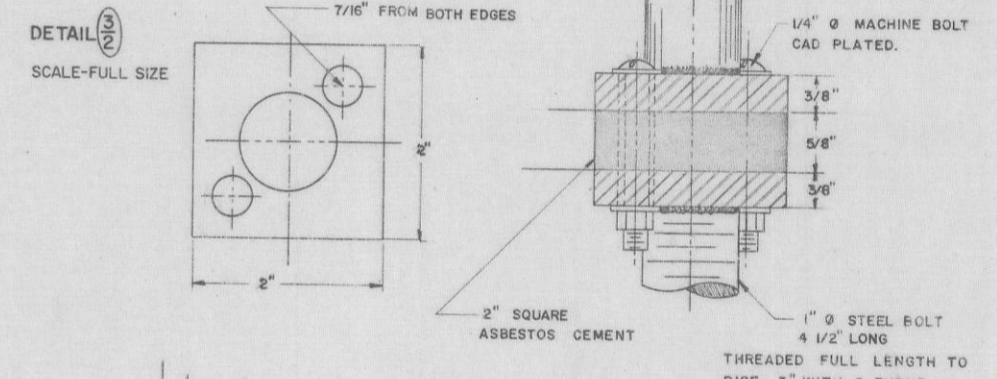
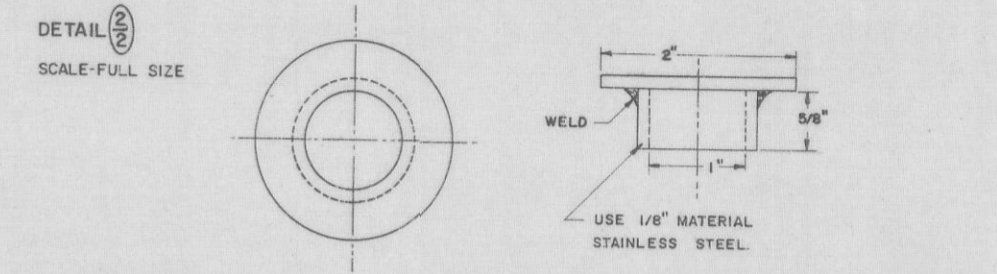
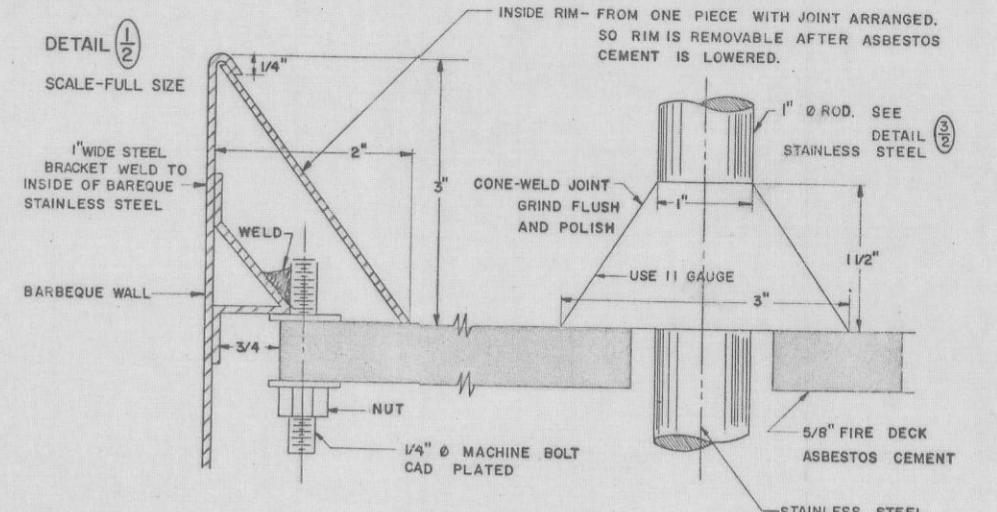
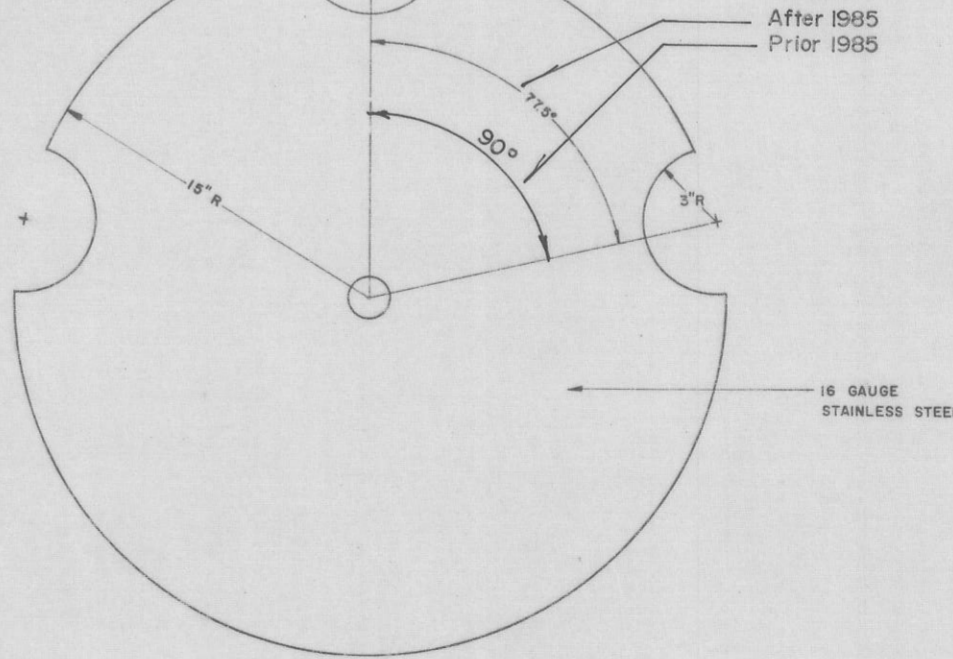
**ELEVATION**

SCALE 3" = 1'-0"



**PLAN**

BARBEQUE FLOOR  
SCALE 3" = 1'-0"



**NOTES**

DATE	REVISIONS
85 03 25	Conc. insert location revised

Wes. W.

**TITLE**

CONSTRUCTION DETAILS

APPROVED  
chairman  
secretary  
w.c.a. master planner  
w.c.a. landscape planner

DATE  
DRAWING  
**2**

Wascana Centre Authority

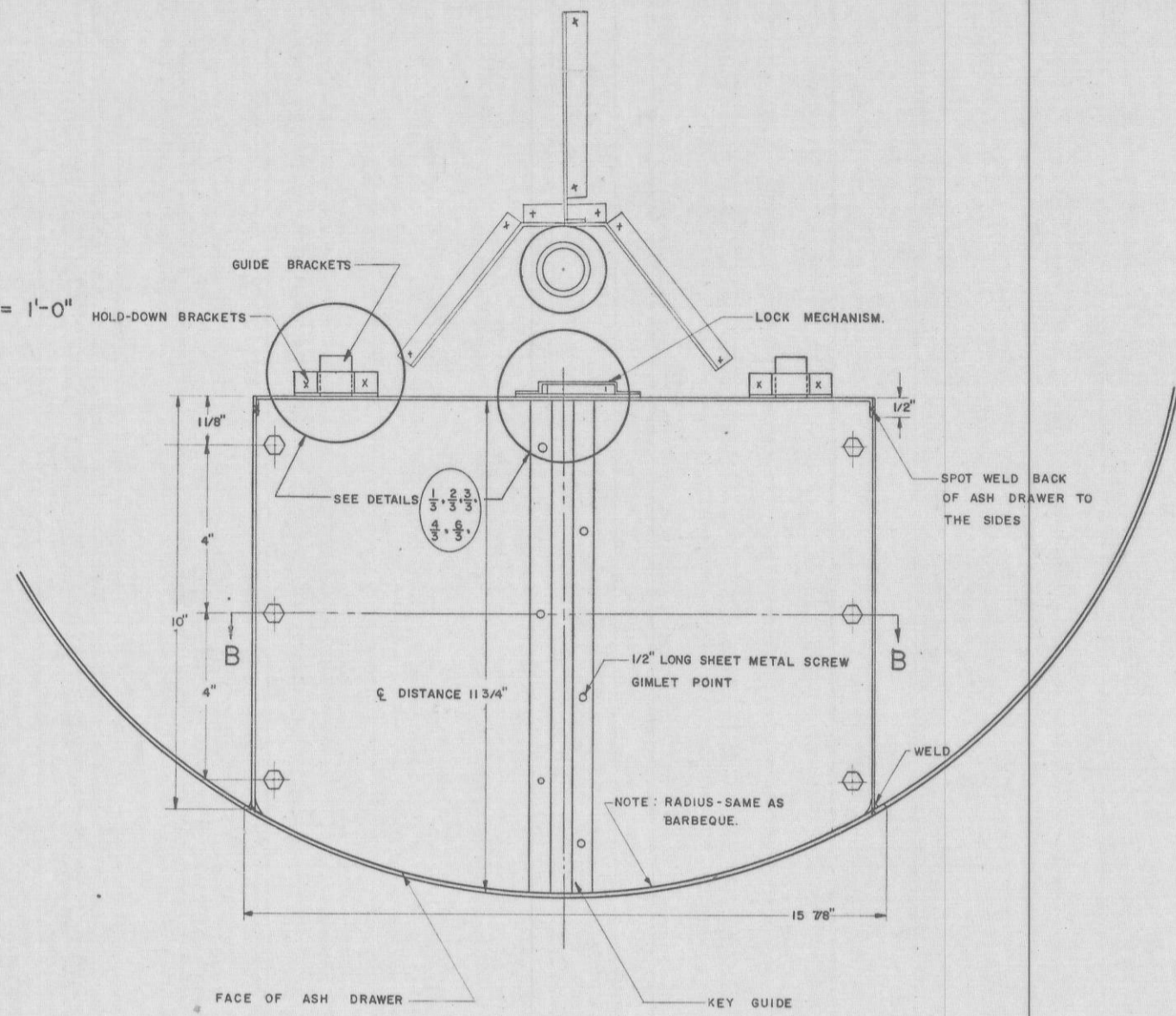
PROJECT  
BARBEQUE UNIT

Drawn  
Checked  
App'd  
Date  
Scale  
File



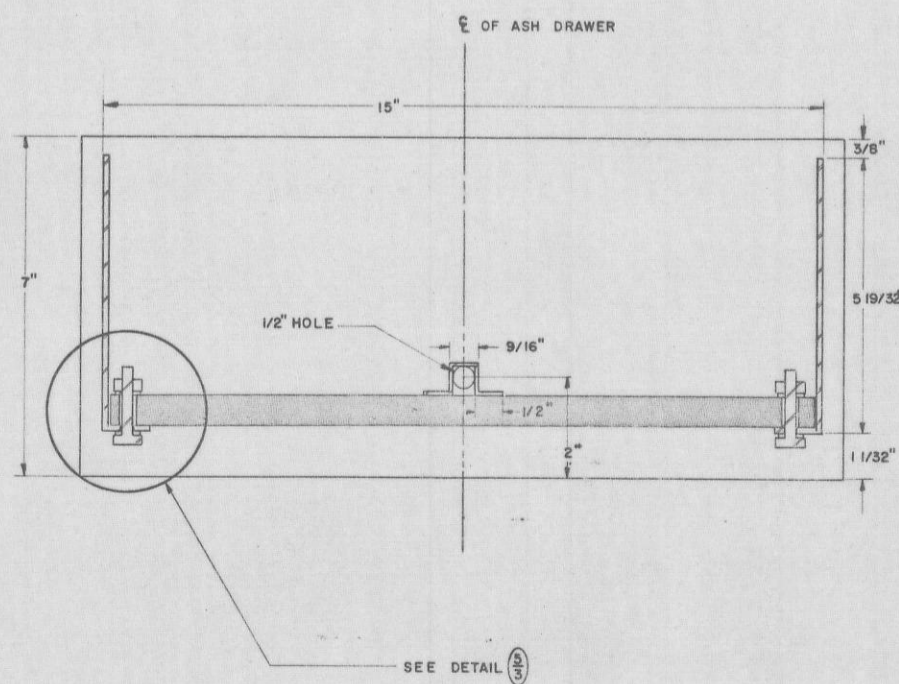
**PLAN**

SCALE 6" = 1'-0"



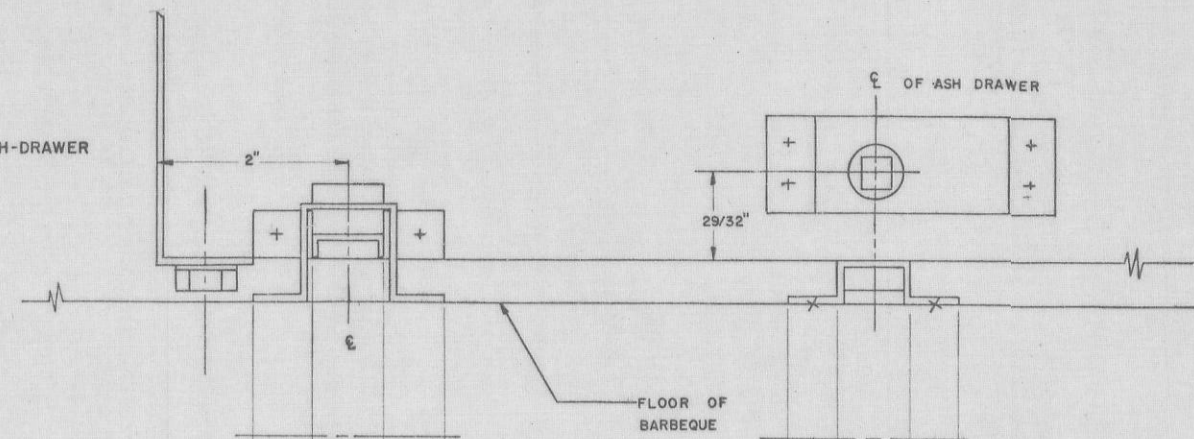
**SECTION B-B**

SCALE 6" = 1'-0"



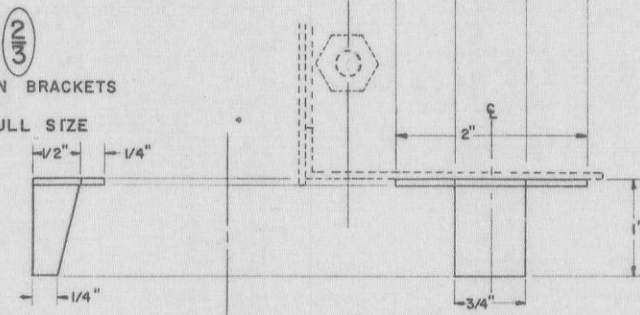
**DETAIL (1/3)**

ELEVATION - REAR OF ASH-DRAWER  
SCALE - FULL SIZE



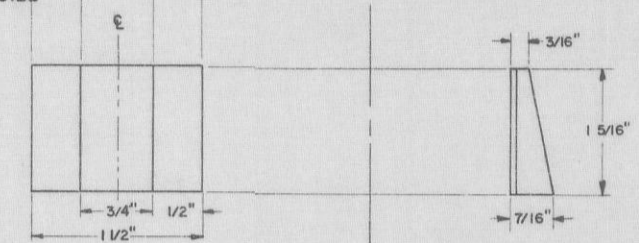
**DETAIL (2/3)**

HOLD-DOWN BRACKETS  
SCALE - FULL SIZE



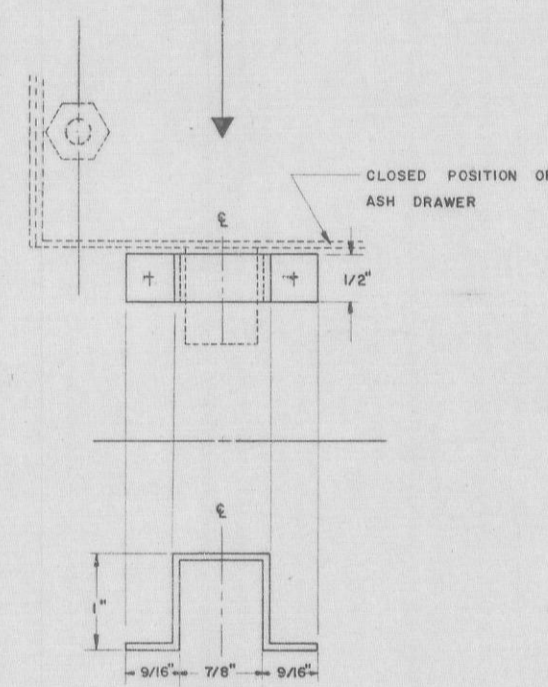
**DETAIL (3/3)**

CATCH - FOR LOCK MECHANISM  
SCALE - FULL SIZE



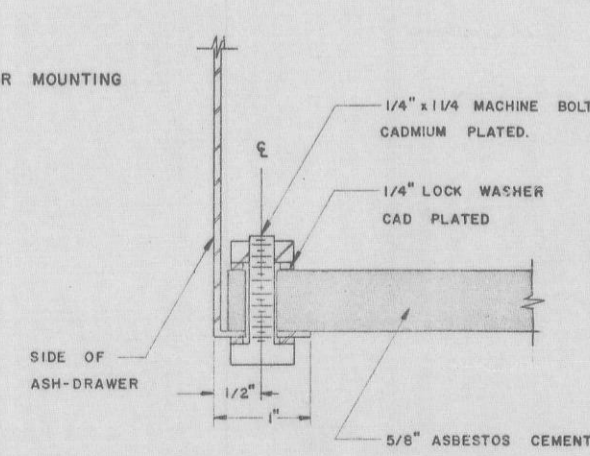
**DETAIL (4/3)**

HOLD-DOWN BRACKETS  
SCALE - FULL SIZE



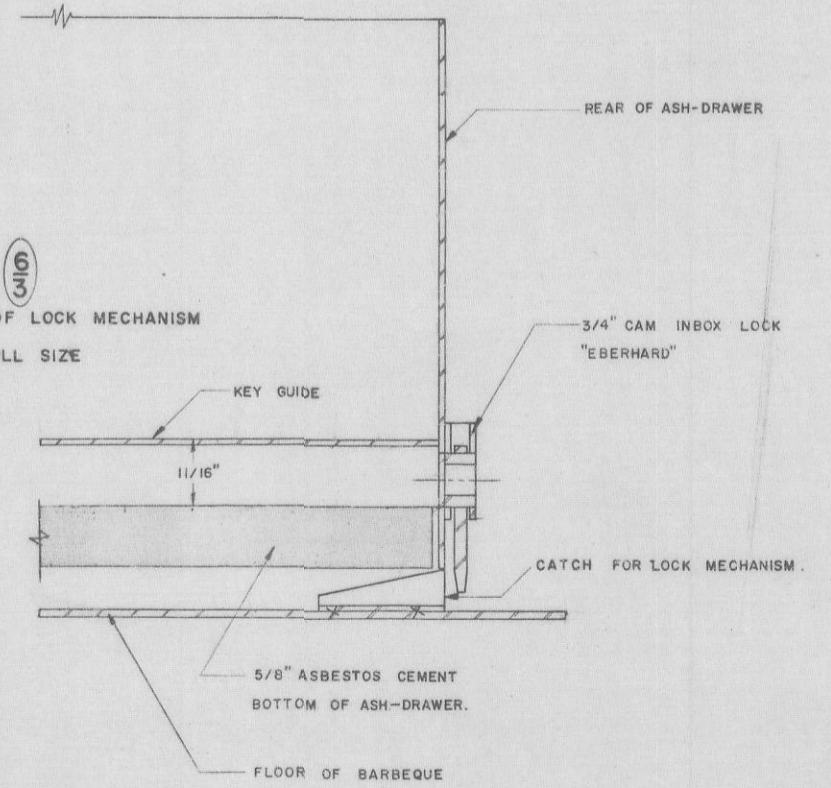
**DETAIL (5/3)**

ASH-DRAWER FLOOR MOUNTING  
SCALE - FULL SIZE



**DETAIL (6/3)**

SECTION OF LOCK MECHANISM  
SCALE - FULL SIZE



**NOTES**

- ALL PARTS TO BE ASSEMBLED AND SPOT-WELDED AS INDICATED BY X.
- 16 GAUGE STAINLESS STEEL USED EXCEPT AS NOTED.

**DATE REVISIONS**

DATE	REVISIONS

**TITLE ASH-DRAWER CONSTRUCTION DETAILS**

APPROVED	DATE	DRAWING
chairman		<b>3</b>
secretary		
w.c.a. master planner		
w.c.a. landscape planner		

*Wascana Centre Authority*

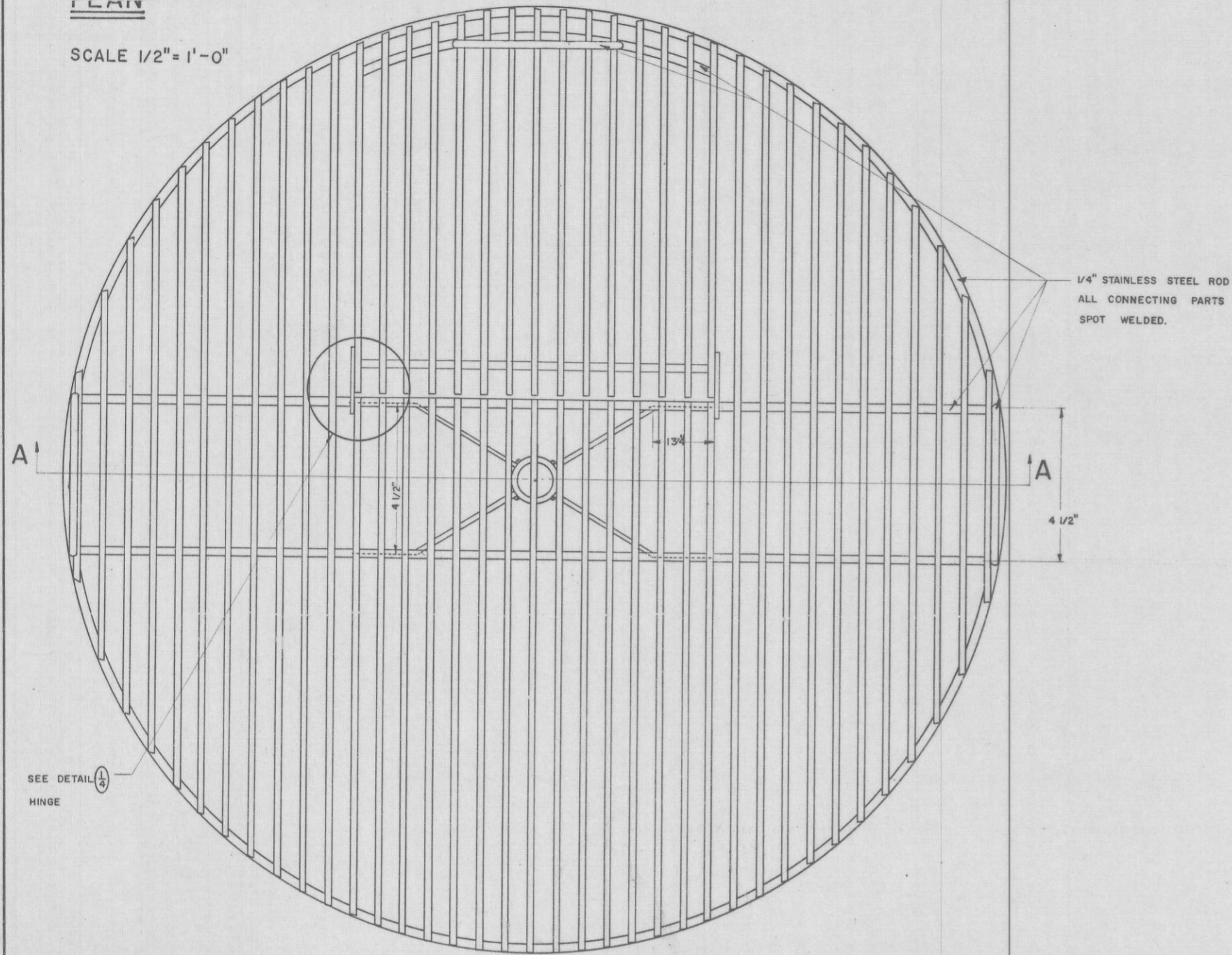
**PROJECT**  
BARBEQUE UNIT

Drawn	Checked	App'd	Date	Scale	File
P.A.P.			1/3/66	AS SHOWN	1-PE-001



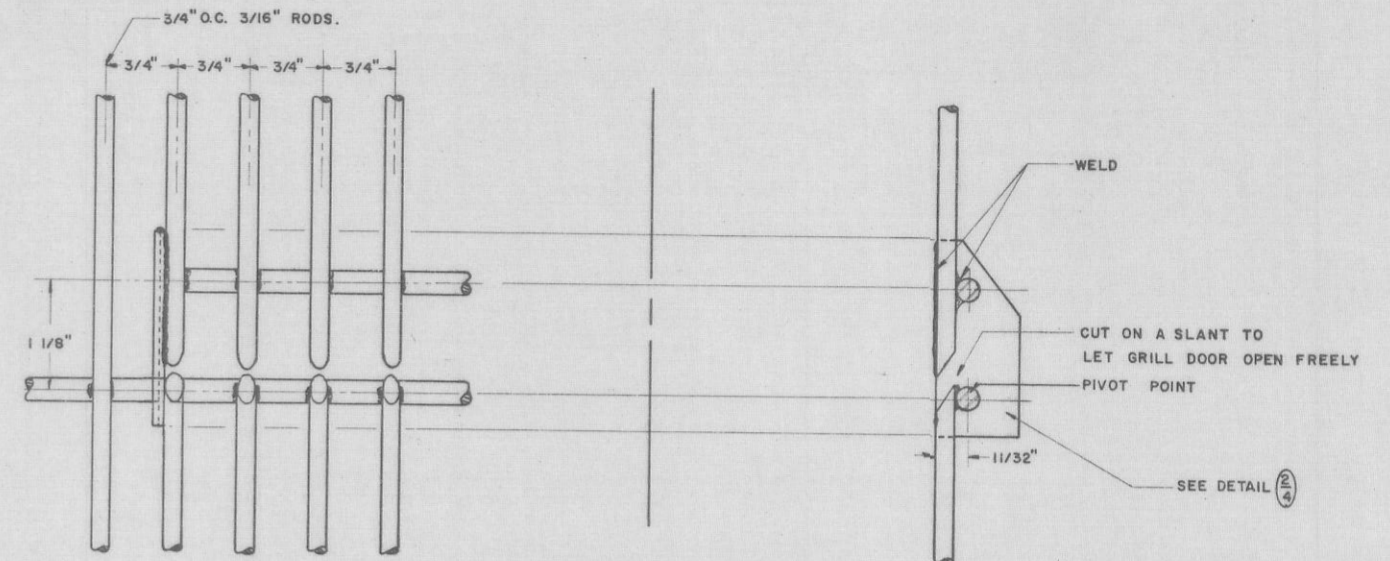
**PLAN**

SCALE 1/2" = 1'-0"



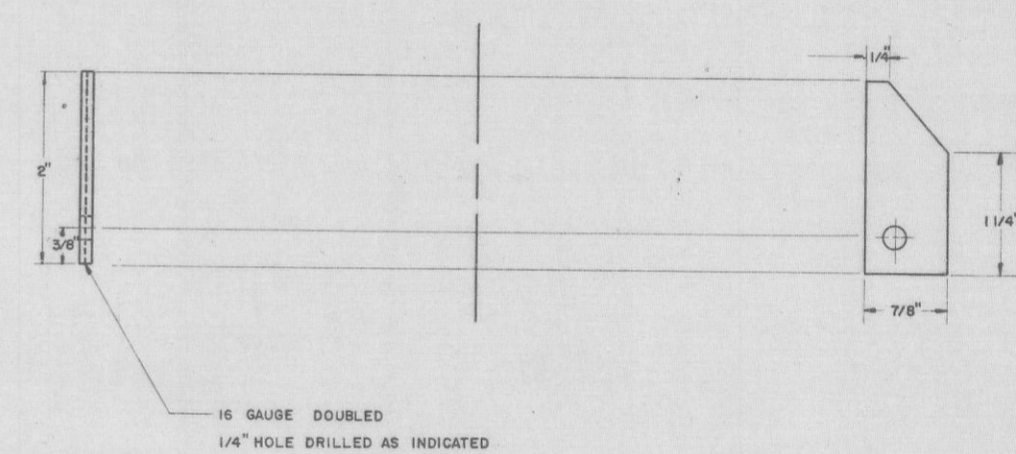
**DETAIL (1/4) HINGE**

SCALE - FULL SIZE



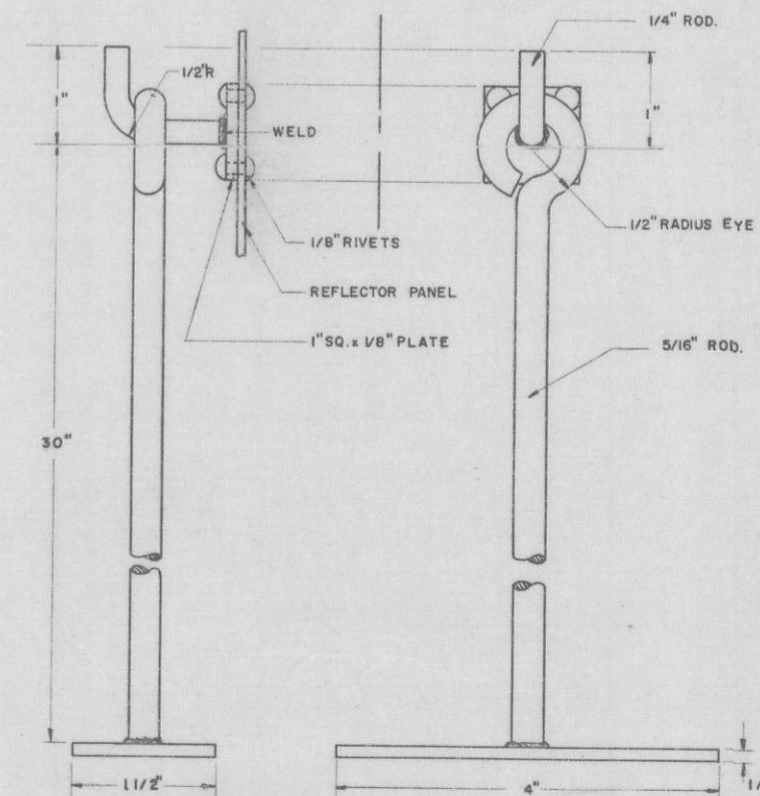
**DETAIL (2/4) HINGE**

SCALE - FULL SIZE



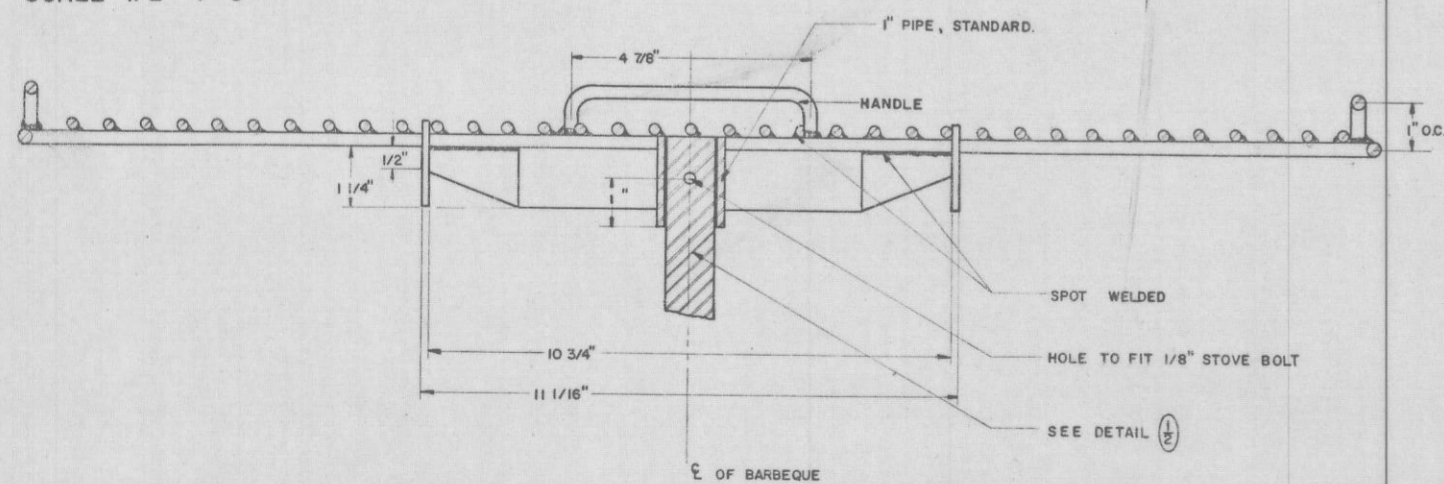
**DETAIL (3/4) HANDIRON**

SCALE - FULL SIZE



**SECTION A-A**

SCALE 1/2" = 1'-0"



**NOTES**

1 ALL PARTS SHALL BE STAINLESS STEEL AND WELDED.

**DATE REVISIONS**

DATE	REVISIONS

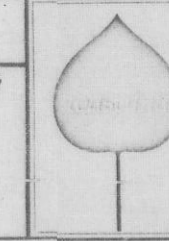
**TITLE**

GRILL CONSTRUCTION DETAILS

APPROVED	DATE
chairman	
secretary	
w.c.a. master planner	
w.c.a. landscape planner	

**DRAWING**

4



Wascana Centre Authority

PROJECT  
BARBEQUE UNIT

Drawn	Checked	Approved	Date	Scale	File
R.A.P.			7/3/66	AS SHOWN	1-PE-001