

Plot Date & Time: 2015-03-16, 11:06:16 AM

CANADA CULVERT CUSTOMER/OWNER

CANADA CULVERT
CAMBRIDGE, ON

CANADA CULVERT CSP BUNDLING RACK

CANADA CULVERT PROJECT # 2015-INTERNAL

DRAWING INDEX

DRAWING #	DRAWING TITLE	REV. DATE	REV #
2015-INTERNAL-S01	RACK SIDE VIEW	2015-03-16	A
2015-INTERNAL-S02	SECTIONS	2015-03-16	A
2015-INTERNAL-S03	CUT DETAILS & BILL OF MATERIALS	2015-03-16	A

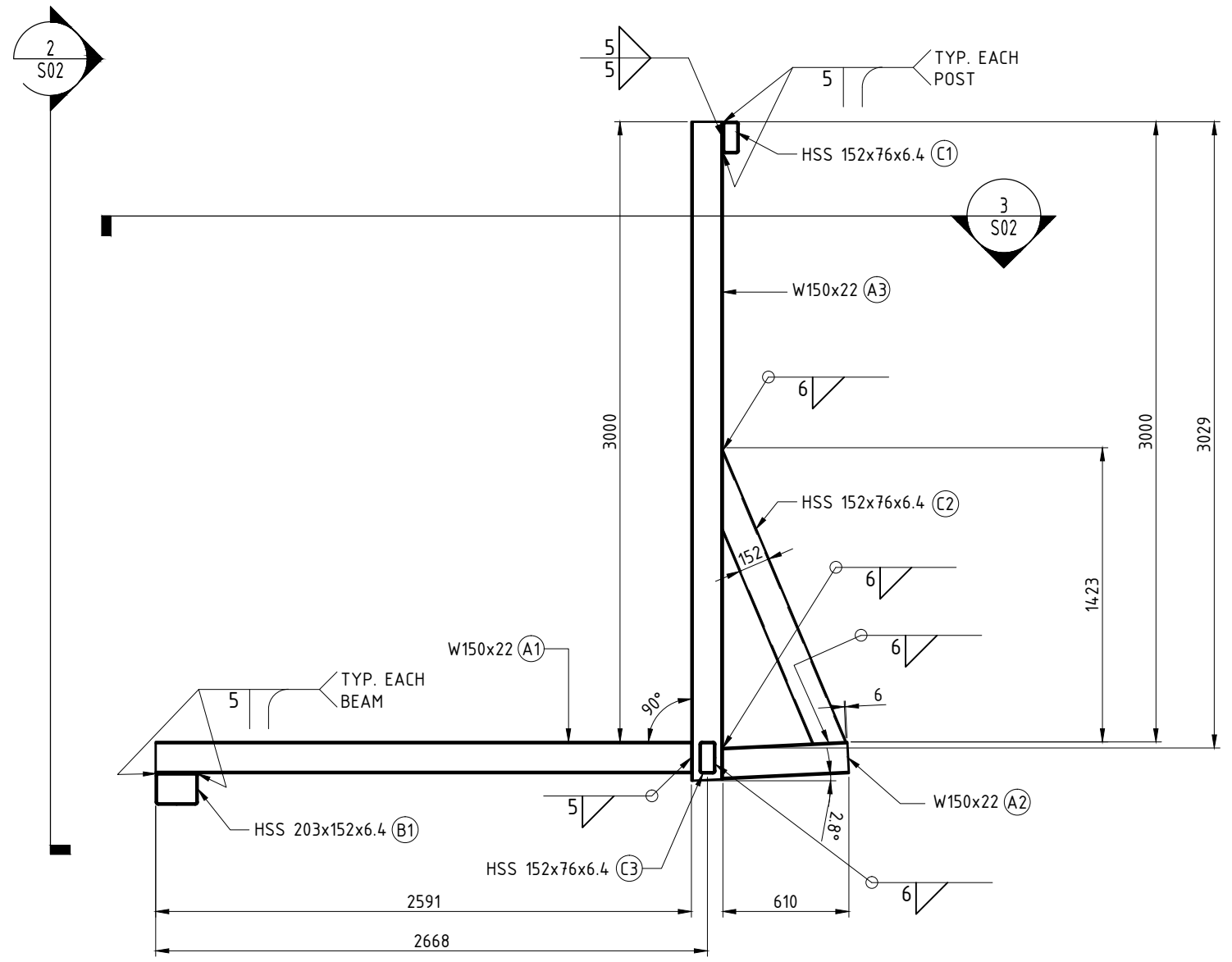
CorPlate[®]



CANADACULVERT[™]

email: engineering@canadaculvert.com
web site: www.canadaculvert.com

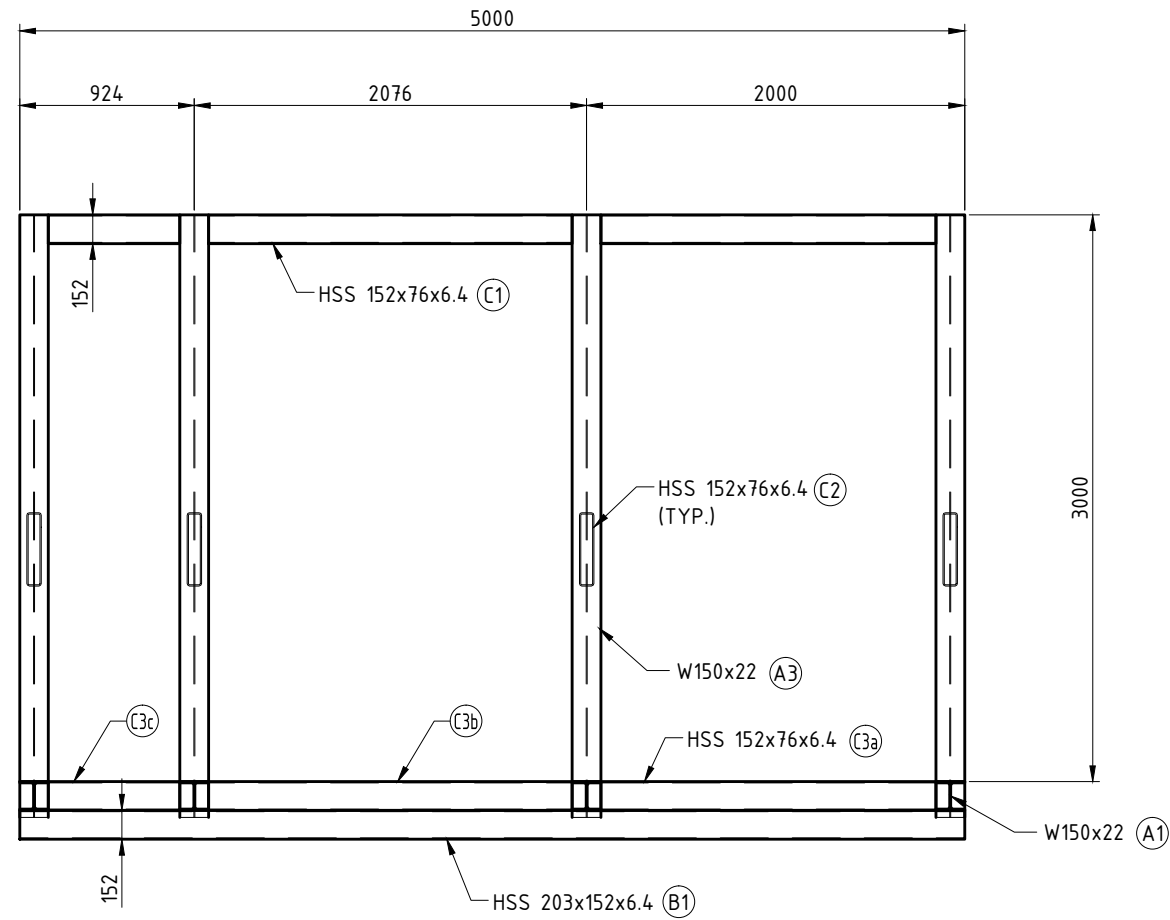
z:_projects\2015\internal\2015-bundling_rack.dwg



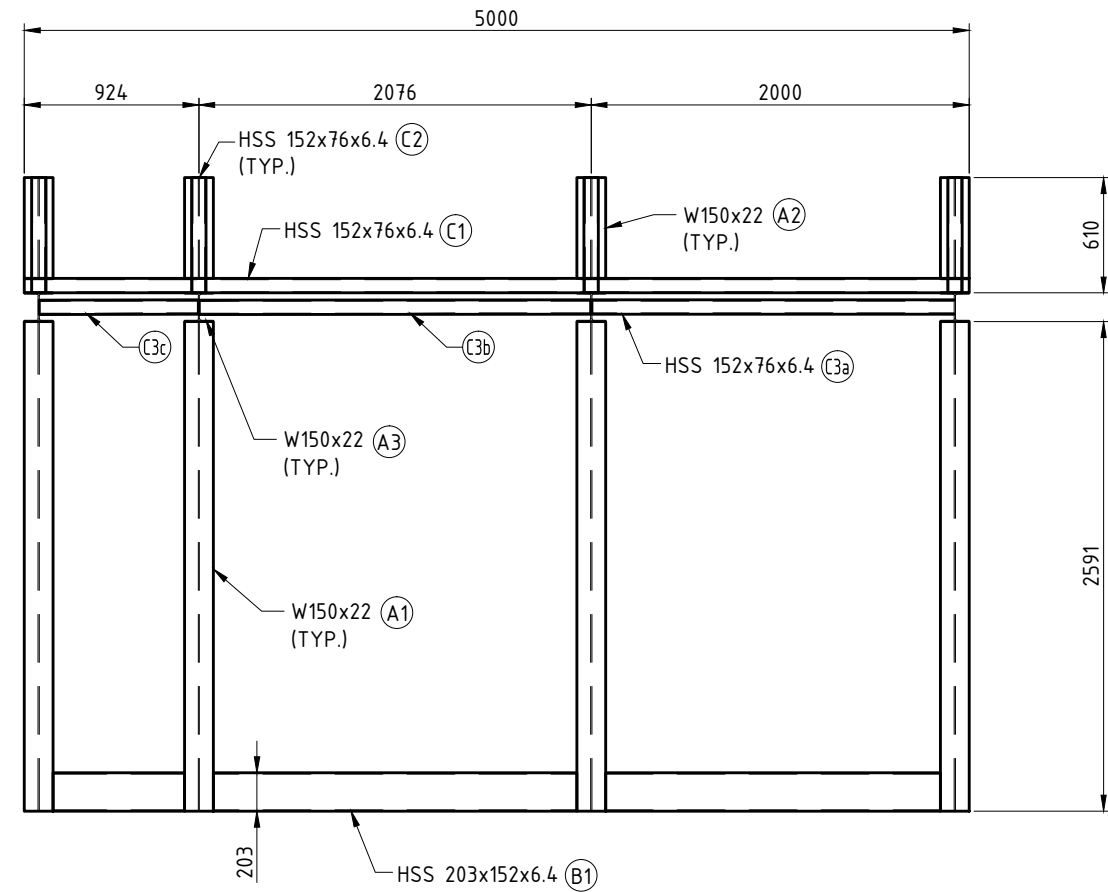
1 RACK SIDE VIEW
S01 SCALE 1:30

REV.NO	REVISION NOTE	DATE
A	ISSUED FOR INFORMATION	2015-03-16

			CUSTOMER CANADA CULVERT, CAMBRIDGE, ON		
CALL TOLL FREE 1-800-565-1152 www.canadaculvert.com			PROJECT NAME CSP BUNDLING RACK		
APPROVALS	DATE		DRAWING TITLE		
DESIGN BY OTHERS -			RACK SIDE VIEW		
DESIGN CHECK OTHERS -					
DRAFT BY CG	2015-03-09				
DRAFT CHECK AR	2015-03-10				
PAPER SIZE 11x17	CONTRACT NO. -	SCALE AS NOTED	TOTAL SHEETS 3	PROJECT NO. 2015-INTERNAL	DRAWING NO. S01
				REV. A	



2 SECTION SHOWING ELEVATION
S01 SCALE 1:40



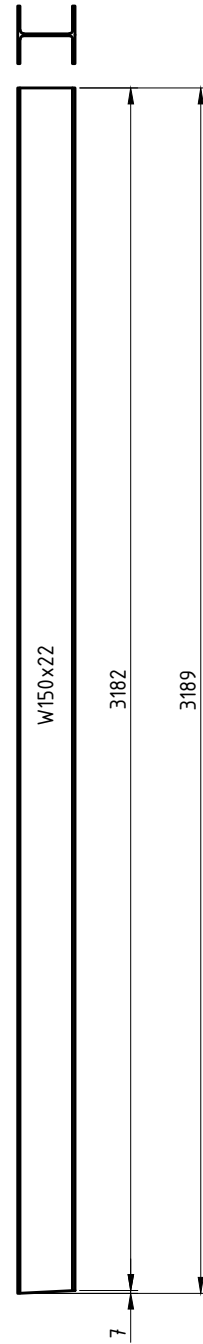
3 SECTION SHOWING PLAN VIEW
S01 SCALE 1:40

REV.NO	REVISION NOTE	DATE
A	ISSUED FOR INFORMATION	2015-03-16

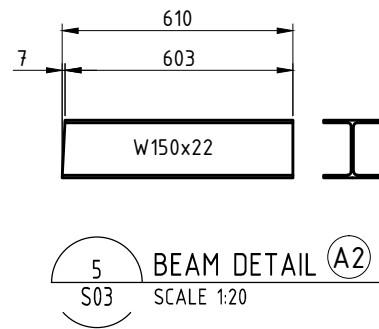
		CUSTOMER	
		CANADA CULVERT, CAMBRIDGE, ON	
CALL TOLL FREE 1-800-565-1152 www.canadaculvert.com		PROJECT NAME	
APPROVALS		DATE	
DESIGN BY	OTHERS -	CSP BUNDLING RACK	
DESIGN CHECK	OTHERS -		
DRAFT BY CG 2015-03-09		DRAWING TITLE	
DRAFT CHECK AR 2015-03-10		SECTIONS	
PAPER SIZE	CONTRACT NO.	SCALE	TOTAL SHEETS
11x17	-	AS NOTED	3
PROJECT NO.		DRAWING NO.	REV.
2015-INTERNAL		S02	0

BILL OF MATERIALS

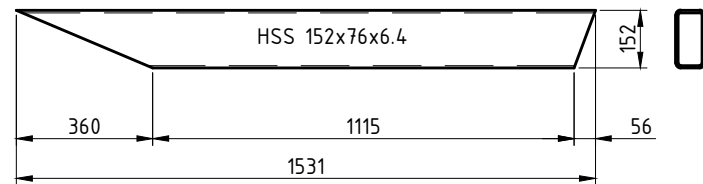
PART ID	QTY.	DESCRIPTION	LENGTH (mm)	MATERIAL SPECIFICATION	COATING SPECIFICATION	LABEL	COMMENT
	4	W150x22 BEAM	2591	CSA G40.21	CSA G164	(A1)	-
	4	W150x22 BEAM	610	CSA G40.21	CSA G164	(A2)	-
	4	W150x22 POST	3189	CSA G40.21	CSA G164	(A3)	-
	1	HSS 203x152x6.4 BEAM	5000	CSA G40.20	CSA G164	(B1)	-
	1	HSS 152x76x6.4 BEAM	5000	CSA G40.20	CSA G164	(C1)	-
	4	HSS 152x76x6.4 BRACE	1531	CSA G40.20	CSA G164	(C2)	-
	1	HSS 152x76x6.4 BRACE	1918	CSA G40.20	CSA G164	(C3a)	-
	1	HSS 152x76x6.4 BRACE	2070	CSA G40.20	CSA G164	(C3b)	-
	1	HSS 152x76x6.4 BRACE	842	CSA G40.20	CSA G164	(C3c)	-



4 POST DETAIL (A3)
S03 SCALE 1:20



5 BEAM DETAIL (A2)
S03 SCALE 1:20



6 BRACE DETAIL (C2)
S03 SCALE 1:20

			CUSTOMER CANADA CULVERT, CAMBRIDGE, ON			
CALL TOLL FREE 1-800-565-1152 www.canadaculvert.com			PROJECT NAME CSP BUNDLING RACK			
APPROVALS	DATE		DRAWING TITLE CUT DETAILS & BILL OF MATERIALS			
DESIGN BY OTHERS	-					
DESIGN CHECK OTHERS	-					
DRAFT BY CG	2015-03-09					
DRAFT CHECK AR	2015-03-10					
PAPER SIZE	CONTRACT NO.	SCALE	TOTAL SHEETS	PROJECT NO.	DRAWING NO.	REV.
11x17	-	AS NOTED	3	2015-INTERNAL	S03	0

REV.NO	REVISION NOTE	DATE
A	ISSUED FOR INFORMATION	2015-03-16