

#	QTY.	PART NUMBER	Description	MATERIAL
1	1	P15-AB01-1x36	Bolt Anchor, 25.4mm x 914.4mm (1" x 36") HDG, ASTM A449 / SAE J429 Gr.5	AISI/SAE 4140 (Heat Treated)
2	1	T02P-PW-0800-01-01	Plate Washer, 120mm AF, 15.875mm Thk., 28mm ID	G40.21-300W
3	2	P15-N03-1	1"-8-Heavy Hex Nut	A563 Gr.DH, Galv.

Quantity 8 sets of 4 bolts
Total bolt count = 32

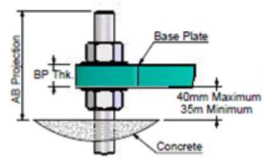
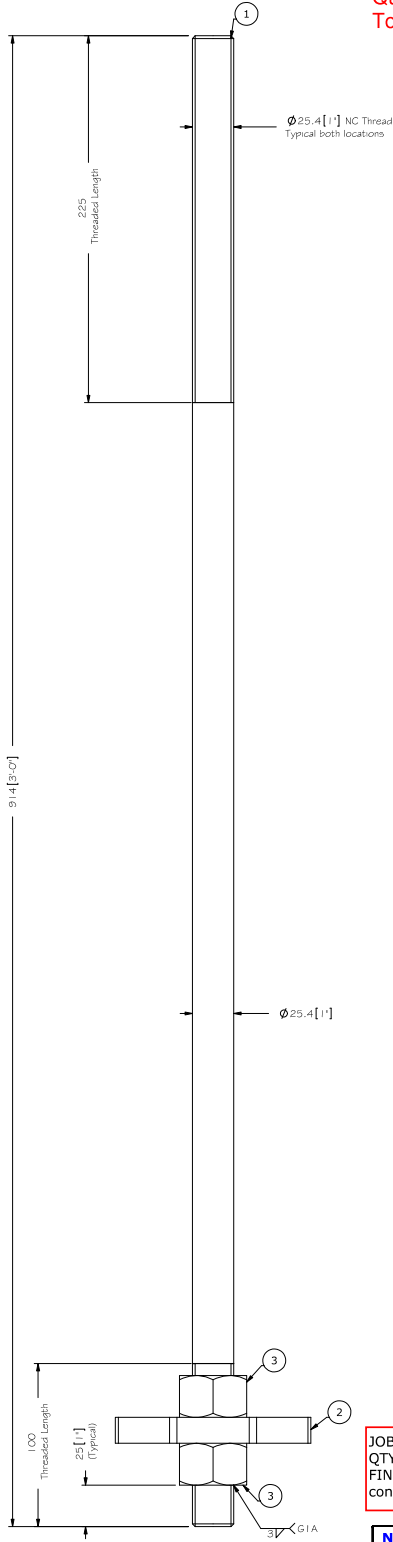
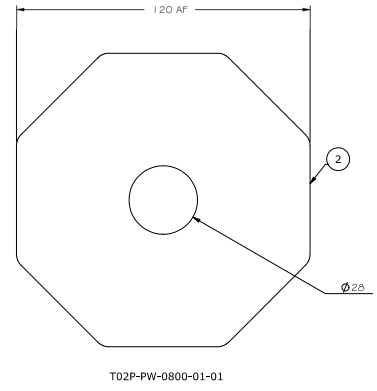


Table 2

BOLT DIA	HOLE SIZE	PROJECTION
3/4"	13/16"	5-7/8"
1"	1-1/16"	5-3/16"
1 1/4"	1-5/16"	5-7/16"
1-1/2"	1-9/16"	6-5/8"

Projection Needed: 5-3/16"
(131.76mm)



JOB: COxxxxx
QTY: 4 per set
FINISH: All steel shall be hot dip galvanized after fabrication as per CSA G164M 1992. The silicon content of the galvanized steel shall be Si <= 0.04% or 0.15% <= Si <= 0.25%

NOTES:
DESIGN STANDARDS: CAN/CSA S6-06 – Canadian Highway Bridge Design Code.
WELDING: All welding per CSA W59 2003.

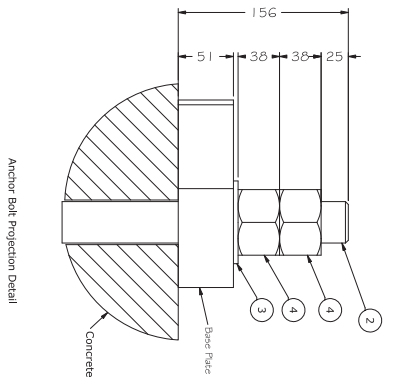
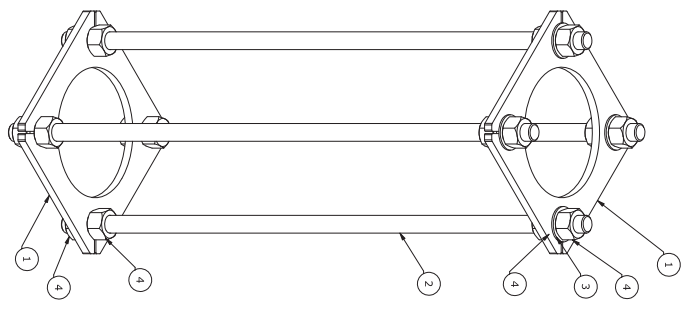
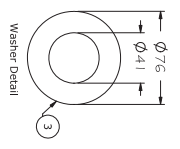
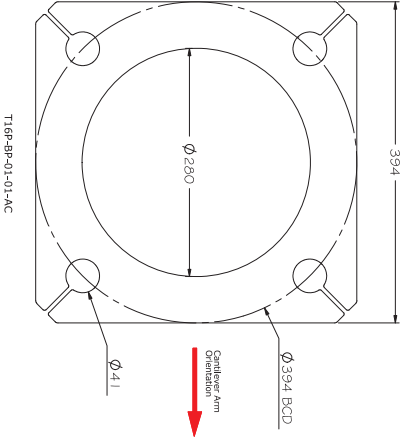
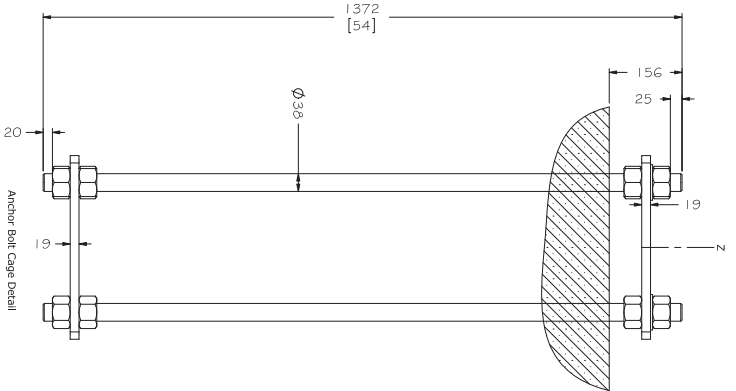
REV.	DESCRIPTION	DATE	BY	APPRD
TED BROCKMAN	DESIGNED:			
GRAHAM SCHOLTON	DRAWN:			
IOHAN GIOSSAN	CHECKED:			
TED BROCKMAN	APPROVED:			

valmont **WEST COAST ENGINEERING**

7984 River Road, Delta, B.C. Canada V4G 1E3
Ph: (604)946-1256 Fx: (604)946-1203
www.valmontwce.com

PROJECT:	1" Anchor Bolt Kit BC MOTH (SN1840) 4 per set	SCALE: NTS
DWG. NO.:	T02-AB02-1-01	SHEET: 1 OF 1
		RET: 0

Assembly Weight: 5.5 Kg
THE INFORMATION CONTAINED IN THIS DRAWING IS THE PROPERTY OF VALMONT WEST COAST ENGINEERING GROUP AND ANY INFORMATION OBTAINED FROM THIS DOCUMENT SHALL BE USED ONLY FOR THE SPECIFIC PURPOSE AUTHORIZED BY VALMONT WEST COAST ENGINEERING GROUP.



#	QTY	PART NUMBER	Description	MATERIAL
1	2	T16-AB-01-01-AC	Base Plate, 394 mm SQ. x 19 mm Th.	GAO.21 300W
2	4	P15-AB02-1.5S54	Bolt Anchor, 38.1mm x 1371.6mm (1.5" x 54")	ASTM F1554 Gr. 105 HDG
3	4	P15-W01-1.5	1 1/2"-Flat Washer Narrow	ASTM F436 - GALV.
4	16	P15-N03-1.5	1 1/2"-6-Hexy Hex Nut	A563 Gr-DH, GALV.

Quantity 12 sets

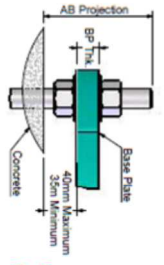


Table 2

BOLT DIA	HOLE SIZE	PROJECTION
3/4"	13/16"	3-7/8"
1"	1-1/16"	5-3/16"
1-1/2"	1-9/16"	6-5/8"

Projection Needed: 6-5/8"
(168.29mm)

DESIGN CRITERIA:
 - CAN/CSA S8-14 Canadian Highway Bridge Design Code.
DESIGN STANDARDS:
 - AASHTO Standard Specifications for Structural Supports for Highway Signs, Luminaires and Traffic Signals.
LOCATION: Regina, SK

BASE REACTIONS: (FACTORED)

Fx (kN)	Fy (kN)	Fz (kN)	Mx (kNm)	My (kNm)	Mz (kNm)
4.5	22.6	13.0	120.8	66.0	116.6

DESIGNED:	IOAN GIOȘAN	REVISIONS:	
DRAWN:	MAR SEVILLA	DATE:	17 Feb 2021
CHECKED:	CONSTANTIN GHEORGHE	SCALE:	MIS
APPROVED:	TED BROCKMAN	QTY:	1
		SHEET:	1
		REF:	0

PROFESSIONAL ENGINEER SEAL

PROFESSIONAL ENGINEER
 C. GHEORGHE
 MEMBER 48202

Valmont
 WEST COAST ENGINEERING
 7984 River Road, Delta, B.C. Canada V4G 1E3
 Ph: (604) 946-1256 Fax: (604) 946-1203
 www.valmontwcc.com

PROJECT: City of Regina
 Cantilever Traffic Structure
 Anchor Bolt Cage

DWG #: T16-CA-AB-01-01

THE INFORMATION CONTAINED IN THIS DRAWING IS THE PROPERTY OF VALMONT WEST COAST ENGINEERING GROUP. ANY INFORMATION OBTAINED FROM ITS CONTENT SHALL BE USED ONLY FOR THE SPECIFIC PURPOSE AUTHORIZED BY VALMONT WEST COAST ENGINEERING GROUP.